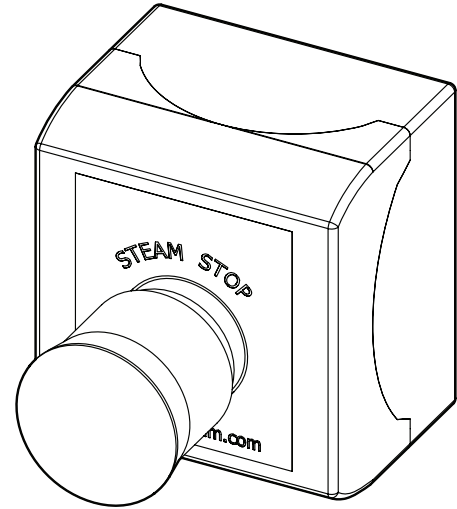


CU Steam Stop™

The CU Steamstop is an emergency stop switch to electronically shut down the steam generator. Multiple stop switches can be used with one generator.

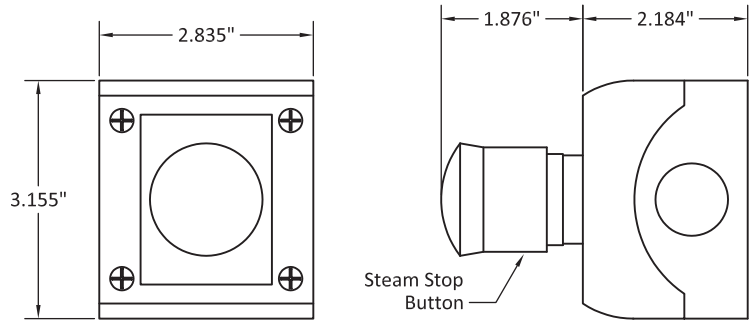
- Water resistant IP-69K rating suitable for use inside or outside the steam room
- Used to turn off steam solenoid(s)
- Installation must conform to National and local electrical codes
- Accepts 1/4" & 1/2" NPT; M16 & M20; and PG 13.5 & PG 16 conduit and fittings



LOCATION AND INSTALLATION

The CU-STEAMSTOP shall be positioned for easy access by the attendant or user.

⚠ WARNING ELECTRIC SHOCK HAZARD. Disconnect all power supplies at the main disconnect switch before proceeding with wiring of the CU-STEAMSTOP. All electrical wiring must be installed by a qualified, licensed electrician in accordance with National and local codes.



OPERATION AND USAGE

Pressing the CU-STEAMSTOP button will stop the flow of steam into the steam room and shut down boiler.

NOTE: When used with a Digital 1 Control, the Digital 1 internal alarm (or CU-ALARM if equipped) will sound if the CU-STEAMSTOP is pressed.

⚠ CAUTION Steam will flow from the steamhead as soon as the CU-STEAMSTOP is reset.

Hole Marking	Fitting	Drill Size
M16	1/4" NPT	35/64"
	M16	41/64"
M20 (PG 13.5)	M20	51/64"
	PG 13.5	53/64"
	1/2" NPT	27/32"
PG 16	1/2" NPT	27/32"
	PG 16	29/32"

FOR ILLUSTRATIVE PURPOSES ONLY. IMPORTANT NOTE: FOR SAFE AND TROUBLE FREE INSTALLATION visit mrsteam.com or scan the QR code before installation to download the Installation, Operation and Maintenance Manual or refer to the manual provided with the unit.



MODEL	PROJECT INFORMATION	
CU SteamStop	Location:	Contractor:
	Architect:	Submitted By:
	Engineer:	Date:
Notes:		