
Model

Serial No.

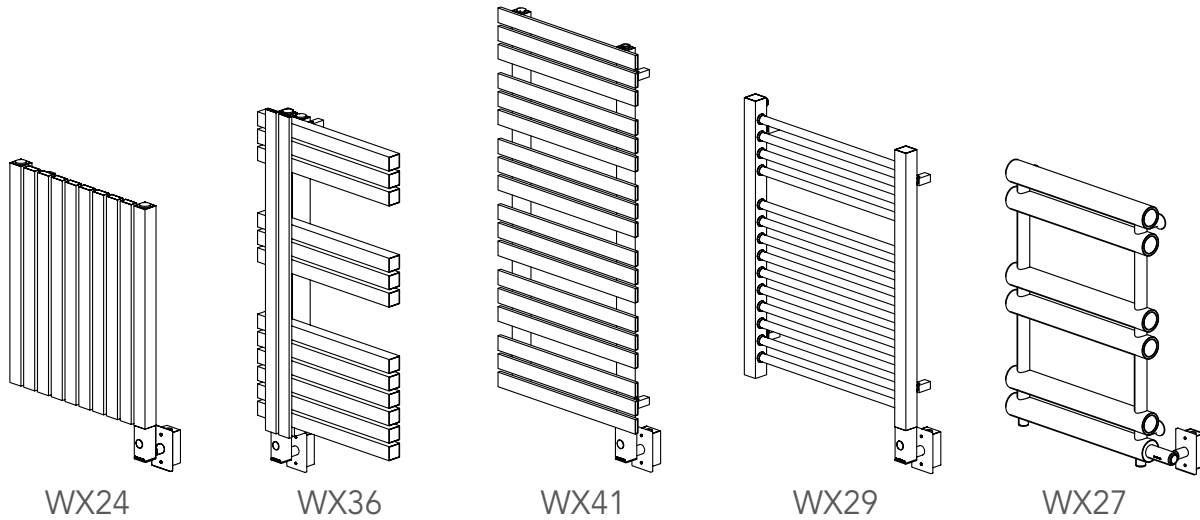


Installation, Operation and Maintenance Manual

Lexington Collection

REFER TO INSTALLATION, OPERATION AND MAINTENANCE
MANUAL PROVIDED WITH PRODUCT
FOR COMPLETE INSTRUCTIONS

mr.steam® | Feel Good Inc.®



IMPORTANT NOTE: As you follow these instructions, you will notice warning and caution symbols. This blocked information is important for the safe and efficient installation and operation of this Towel Warmer. These are types of potential hazards that may occur during this installation and operation:

WARNING Indicates a hazardous situation which, if not avoided, could result in death or serious injury.

CAUTION Indicates a hazardous situation which, if not avoided, could result in minor or moderate injury.

NOTICE is used to address practices not related to physical injury.

MAINTENANCE

CLEANING: The finish of your MrSteam Towel Warmer can be protected and maintained by allowing Towel Warmer to cool to room temperature and occasional wiping with a dampened cloth and lightly polished thereafter with a soft dry cloth. Under no circumstances should abrasive cleaning powders or metal polish be used on any Towel Warmer.

WARRANTY

To view or download the MrSteam Towel Warmer Warranty and register your product go to: blog.mrsteam.com/wr

Table of Contents

Maintenance & Warranty..... 2

Homeowner’s Information..... 3

INSTALLER INFORMATION

General Information 4

Specification Chart 4

Locating the Towel Warmer 4

Wall Preparation 5

Mounting Dimensions 6

Installation 7

Electrical Connections..... 8-9

Wiring Diagram 8

Digital Programmable Timer..... 9

REFER TO INSTALLATION, OPERATION AND MAINTENANCE MANUAL PROVIDED WITH PRODUCT FOR COMPLETE INSTRUCTIONS



HOMEOWNER:

THANK YOU for selecting a MrSteam Towel Warmer, the perfect addition to bathrooms, family spas, and exercise rooms within your home. Our products have long been a standard for quality and comfort. Experience continued enjoyment from the Towel Warmer you have purchased by following these simple instructions.

⚠ WARNING TOWEL WARMERS ARE HOT! The Towel Warmer is an electrical heating appliance, intended only for indoor residential applications and, as such, should be installed and used with certain precautions for your safety.

1. INSTALLATION PROCEDURES FOR PERMANENTLY WIRED WALL-MOUNTED UNITS MUST BE ACCOMPLISHED BY QUALIFIED LICENSED ELECTRICIAN IN STRICT ACCORD WITH APPLICABLE NATIONAL AND LOCAL BUILDING AND ELECTRICAL CODES.
2. DO NOT place Towel Warmer units inside a shower, sauna or steam room enclosure or any other wet location or with elevated temperatures.
3. The Towel Warmer will be hot. Please exercise caution if the Towel Warmer is accessible to children or the elderly. Please ensure that children are supervised at all times in the vicinity of the Towel Warmer and warn them that it is a hot surface that can cause burns.
4. Extreme caution is necessary when any heater is used by or near children or invalids and whenever the heater is left operating and unattended.
5. Do not operate after the Towel Warmer malfunctions or has been damaged in any manner. Return the Towel Warmer to an authorized service facility for examination, electrical or mechanical adjustment or repair.
6. Use this heater only as described in this manual. Any other use not recommended by the manufacturer may cause fire, electric shock or injury to persons.
7. For the ultimate ease in use, a dedicated wall switch or timer can be used to control the Towel Warmer unit. Contact MrSteam for an in-wall 24-hour-7 day timer (PN 103588DIG)

NOTICE The finish of your MrSteam Towel Warmer can be protected and maintained by allowing Towel Warmer to cool to room temperature and occasional wiping with a dampened cloth and lightly polished thereafter with a soft dry cloth. Under no circumstances should abrasive cleaning powders or metal polish be used on any Towel Warmer.

NOTICE Do not use in ambient temperatures below 30°F. If the water in the radiator freezes, it will malfunction and damage to the radiator may occur. Do not use in ambient temperatures above 90°F.

NOTICE The temperature of the unit may vary during operation.

NOTICE This Towel Warmer is intended for towels washed in water. Fabrics that contain soap or detergent residue may show what appears to be scorch marks. However this is simply the discoloration of the residue. The Towel Warmer unit does not reach sufficient temperature to scorch fabric. We are not responsible for discoloring or damage of any fabrics. As a precaution we recommend you place a towel directly onto the rail before placing items of clothing.



This picture shows the recommended method of draping a towel on a towel warmer. While Towel Warmer design vary, ensure that as much as possible of the towel is touching the Towel Warmer to ensure efficient even warming of the towel.

For Illustrative Purposes Only

⚠ WARNING Towel Warmer is not to be located within a shower/ tub zone and the user should NEVER operate or use the Towel Warmer.

REFER TO INSTALLATION, OPERATION AND MAINTENANCE MANUAL PROVIDED WITH PRODUCT FOR COMPLETE INSTRUCTIONS

INSTALLER INFORMATION:

NOTICE READ THIS ENTIRE INSTRUCTION MANUAL THOROUGHLY BEFORE BEGINNING INSTALLATION. LEAVE THESE INSTRUCTIONS WITH HOMEOWNER.

WARNING Towel Warmers are constructed of steel and are liquid filled. They are heavy, with some models approaching 60 lbs. Use methods and manpower as required to insure personal safety and to avoid property damage when handling and installing MrSteam Towel Warmers.

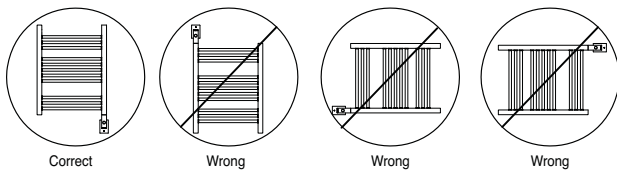
WARNING BE CERTAIN ELECTRICITY IS SHUT OFF AT MAIN PANEL BEFORE WIRING OR SERVICING THE TOWEL WARMER. Follow instructions to make certain the Towel Warmer is properly attached to the wall. FAILURE TO FOLLOW THESE STEPS COULD RESULT IN HAZARDOUS CONDITIONS.

WARNING To avoid possible fire hazard, the Towel Warmer must remain in its intended position. MOUNT THIS UNIT ONLY AS SHOWN IN THESE INSTRUCTIONS. DO NOT alter or modify any MrSteam products. Doing so may result in an inoperable or hazardous installation and will void the warranty.

CAUTION

1. Install in accordance with National and local codes.
2. Do not place units inside a shower, sauna, steam room or wherever unit would be exposed to water.
3. Do not locate within the shower or tub zone.
4. All models are to be protected by dedicated and suitably rated GFCI circuit breaker or equal.

TO ENSURE CORRECT INSTALLATION OF THE TOWEL WARMER, FOLLOW ALL THE INSTRUCTIONS CAREFULLY, OBSERVING THE "WARNING", "CAUTION" and "NOTICE" NOTATIONS FOR EACH STEP.



Inspect Towel Warmer

Unpack the Towel Warmer carefully to avoid any damage or loss of any part. When opening the box be sure that the parts are not accidentally discarded. Towel Warmers are shipped in specially designed shipping cartons. The entire surface of the Towel Warmer is hand-wrapped to protect the finish. It is your responsibility to immediately inspect for any damage or lost parts.

NOTICE DO NOT LOOSEN SCREWS ON TOP OR BOTTOM. LOOSENING SCREWS WILL CAUSE INTERNAL LIQUID TO ESCAPE AND CAUSE PRODUCT DAMAGE.

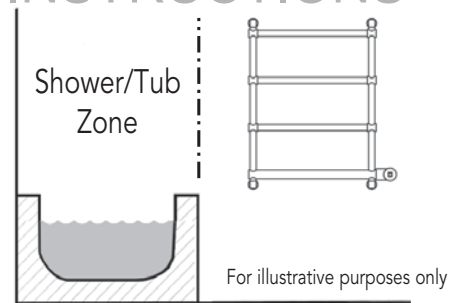
Table 1: TOWEL WARMER SPECIFICATIONS

Model No.	Dimensions (inches) W x H x D			Amps	Volts /Phase	Weight (lbs.)
WX24	19 1/4	x 23 5/8	x 1 1/2	2.5	120/1	28
WX36	19 3/4	x 36 1/4	x 3 1/8	3.3	120/1	57
WX41	19 3/4	x 41	x 1 1/2	3.3	120/1	48
WX29	22 7/8	x 29 1/2	x 1 1/2	2.5	120/1	28
WX27	19 3/4	x 27 3/4	x 2 3/8	2.5	120/1	27

NOTE: All switches and control devices must be installed on the load (black) side of the Towel Warmer circuit in compliance with the National Electric Code and Local Codes. (see pages 8 & 9 for installation instructions)

LOCATING THE TOWEL WARMER

1. Install in accordance with National and local codes.
2. DO NOT locate within the shower or tub zone.



3. Locate the Towel Warmer where incidental or unintentional contact will not occur. Towel Warmer are HOT!
4. DO NOT locate in any space where children are active. Children should not use the Towel Warmer. Towel Warmers are HOT! DO NOT climb on the Towel Warmer. DO NOT use the Towel Warmer as a step stool or ladder.
5. DO NOT Locate the Towel Warmer in any location it may be used to support a persons weight. DO NOT climb on the Towel Warmer as a step stool or as a ladder.
6. DO NOT hang anything on the Towel Warmer other than a suitable heat resistant towels or garments. DO NOT mount or hang anything from the Towel Warmer.

WALL PREPARATION

CAUTION

- Header to be of materials and construction as required for the Towel Warmer to support a minimum of 120 lbs. Typically, two 2" x 6" wooden header spanning across a minimum of two studs is a sufficient minimum requirement, however, wood quality and fastening methods vary and may impact structural integrity, as shown.
- For the correct installation of Towel Warmer it is essential that mounting and installation is suitable for intended use and predictable misuse. Consider the method used to mount the Towel Warmer to the wall, the construction and condition of the wall and any potential forces or weights that may be applied to the Towel Warmer.
- DO NOT mount the Towel Warmer directly to sheet rock or any other non-structural material.
- Use longer fasteners as required if the finished wall surface prevents adequate mounting with the screws provided.
- Provide a clearance hole in the lower header as required to route field wiring to the Towel Warmer wiring box.

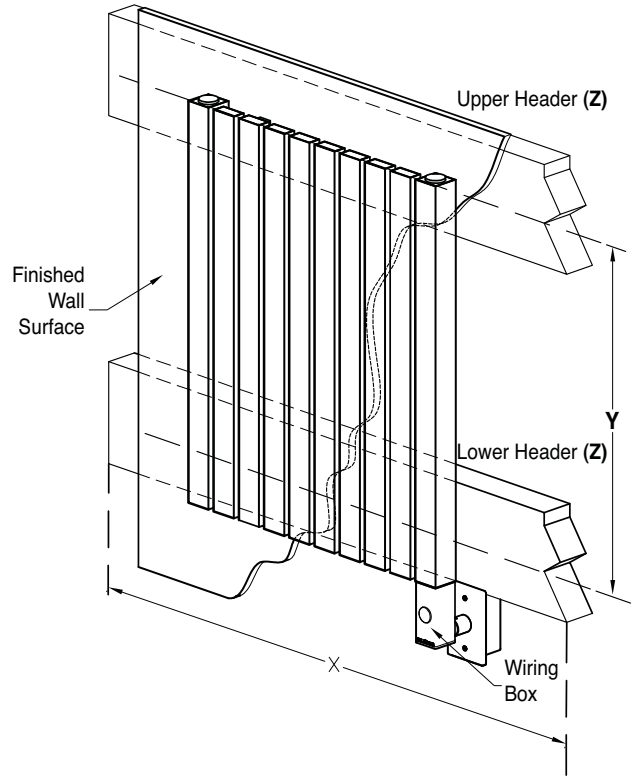


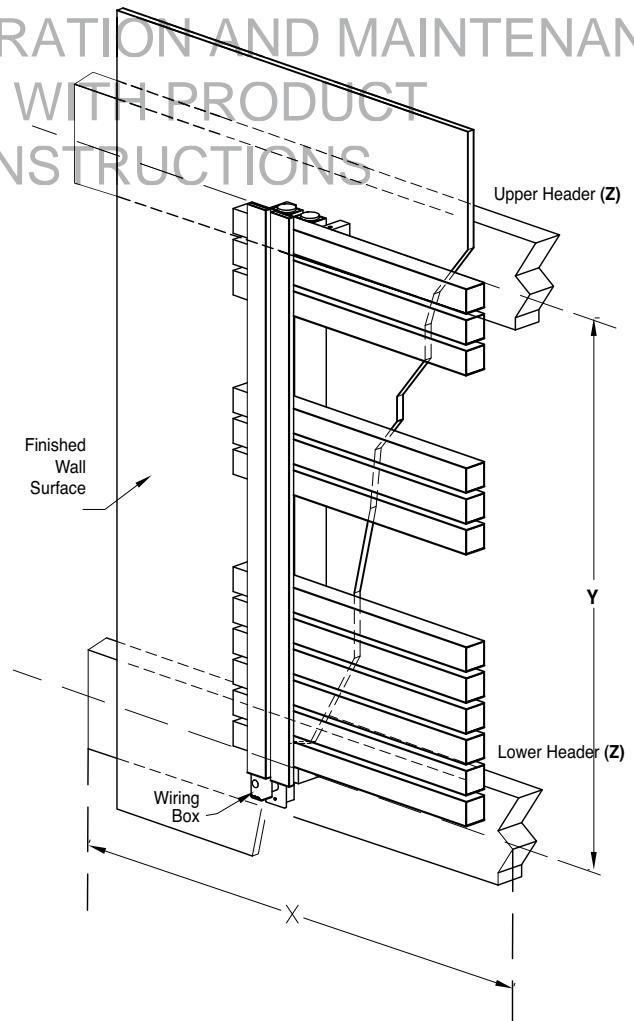
Table 2: HEADER DIMENSIONS (inches)

MODEL	X (minimum) HEADER HORIZONTAL LENGTH	Y HEADER VERTICAL LENGTH	Z (minimum) HEADER SIZE
WX24	18 3/4	20 1/2	2 x 6
WX36	9 1/2	30 3/4	2 x 6
WX41	22 1/2	35 1/2	2 x 6
WX29	26 1/4	22 1/8	2 x 6
WX27	22	22 1/2	2 x 6

NOTICE

Towel Warmers may have small dimensional variations and must be measured prior to installation to insure safe and proper mounting.

For Technical Service Assistance:
 East Coast Tel: 1-800-767-8326
 West Coast Tel: 1-800-727-8326



MOUNTING DIMENSIONS

To insure safe and proper mounting.

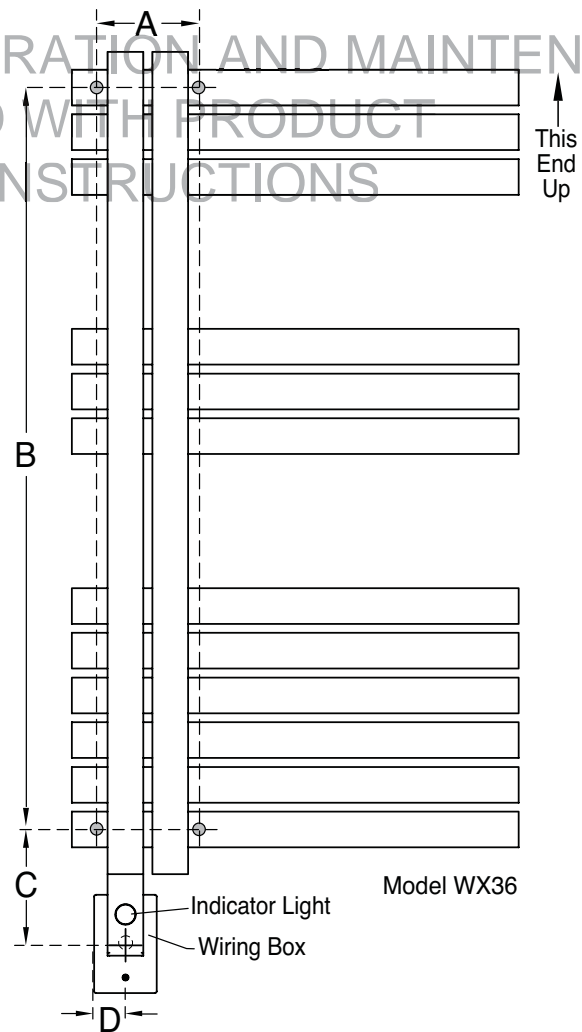
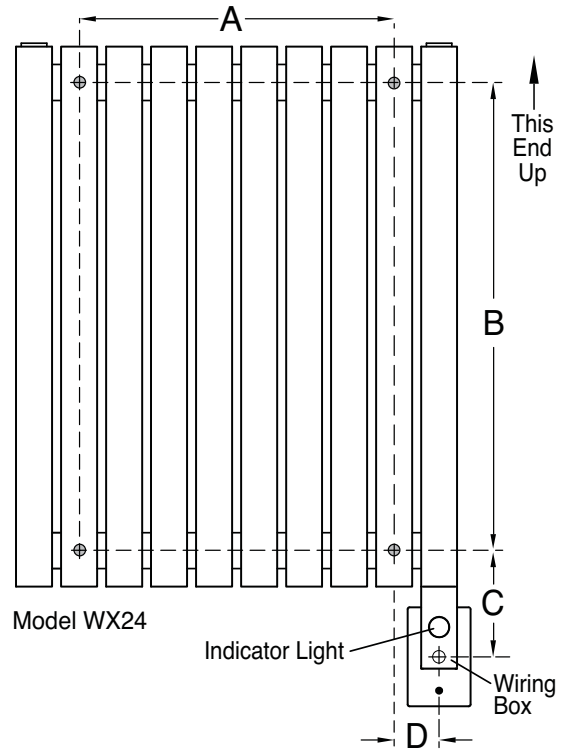
Table 3: MOUNTING DIMENSIONS (inches)				
MODEL	A	B	C	D
WX24	13 ²⁵ / ₃₂	20 ¹⁵ / ₃₂	5 ⁷ / ₁₆	1 ³¹ / ₃₂
WX36	4 ¹⁷ / ₃₂	32 ¹¹ / ₁₆	5 ¹³ / ₁₆	1 ⁹ / ₃₂
WX41	17 ²³ / ₃₂	35 ⁷ / ₁₆	6 ⁵ / ₈	1 ³ / ₈
WX29	21 ¹ / ₄	22 ¹ / ₁₆	7 ¹⁹ / ₃₂	~
WX27	16 ¹⁵ / ₁₆	22 ⁷ / ₁₆	1 ¹⁵ / ₃₂	4 ¹ / ₃₂

WARNING Install Towel Warmers in upright position only. Locate with indicator light on bottom as shown. Failure to install properly may result in poor performance, overheating and a hazardous condition.

WARNING Install Towel Warmers in upright position only. Locate with pilot light on bottom as shown. Failure to install properly may result in a hazardous condition.

CAUTION A single gang electric box must be roughed in. See page 5 for location.

NOTICE Towel Warmers may have small dimensional variations and the dimension must be verified prior to installation.



REFER TO INSTALLATION, OPERATION AND MAINTENANCE MANUAL PROVIDED WITH PRODUCT FOR COMPLETE INSTRUCTIONS

INSTALLATION

⚠ WARNING TO PREVENT SHOCK HAZARD, TURN OFF ELECTRICITY AT THE MAIN PANEL BEFORE WIRING. VERIFY WITH MULTIMETER.

Box Contents

- Towel Warmer
- (4) Brackets
- (4) Large Screws
- (4) Inserts
- (1) Junction Box Cover
- (2) Junction Box Screws
- (1) Junction Box Set Screw
- (4) Bracket Set Screws
- Timer
- (1) Allen Key
- (1) 2" x 4" Junction Box
- Instruction & Operation Manual

⚠ CAUTION A single gang electric box must be roughed in. See page 5 for location.

⚠ WARNING Install Towel Warmers in upright position only. Locate with pilot light on bottom as shown. Failure to install properly may result in a hazardous condition.

1. Ensure header and junction box are installed as shown on page 5 & 6.
2. Using the allen key provided, loosen the wiring box set screw and rotate the wiring box into position shown. DO NOT remove the wiring box.
3. Measure the Towel Warmer and mark the locations on the finished wall, where the brackets and junction box will be mounted. The bracket mounting locations should be based on the location of the junction box (see Table 3 Mounting Dimensions). Verify mounting points are level.
4. Insert large screw and washer into bracket. Properly center large screw point onto the marked mounting location.
5. Using the large screw provided secure the bracket to the wall with an electric drill (see figure 2).
6. Repeat step 4 and 5 for all bracket mounting locations.
7. Thread the (4) inserts into Towel Warmer.
8. Slide junction box cover onto wiring box with wiring running through junction box cover.
9. Proceed to page 8 for Electrical Connections.

NOTICE All four mounting points on Towel Warmer must be used.

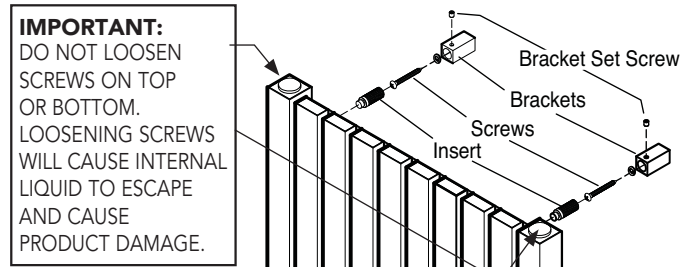


Figure 1: Towel Warmer Assembly

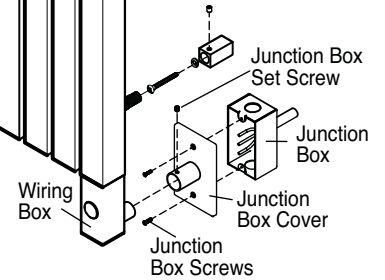


Figure 2: Secure bracket to finished wall

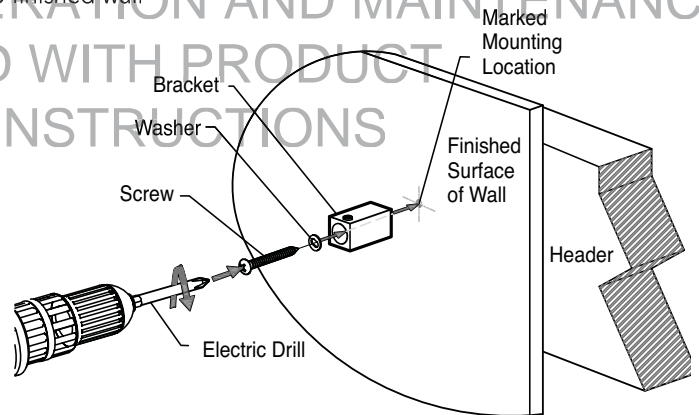
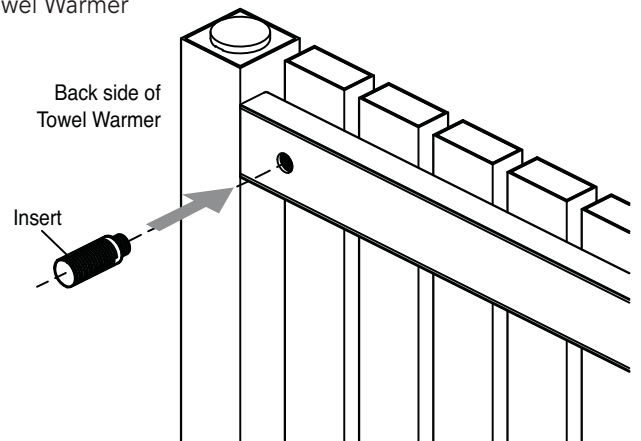


Figure 3: Install inserts to Towel Warmer



ELECTRICAL CONNECTIONS

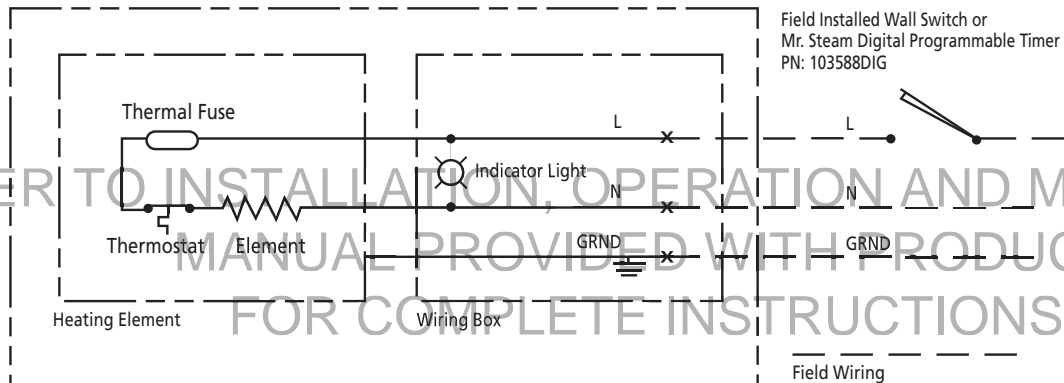
General

The Towel Warmer requires 120VAC, 60 Hz power supply and must be GFCI protected. Specific amperage needed is listed in the Towel Warmer Specifications Chart on page 4.

- A. Electrical connections should be made as prescribed by the National Electric and Local Codes. The unit should be field wired using 14 AWG min 90°C-rated copper wire. All models are to be protected by a separate 15 amp circuit breaker or equal.
- B. Make connections between Towel Warmer and house wiring using approved connections to comply with National Electrical Local Codes. LINE (black), NEUTRAL (white), and GROUND.
- C. Install the Towel Warmer according to the specific instructions for each model.
- D. A dedicated circuit is required.

⚠ WARNING TO PREVENT SHOCK HAZARD, NO BARE WIRE OR WIRE STRANDS SHOULD BE VISIBLE AFTER MAKING CONNECTIONS.

Wiring Diagram



Electric Towel Warmer

⚠ WARNING TO PREVENT SHOCK HAZARD, TURN OFF ELECTRICITY AT THE MAIN PANEL BEFORE WIRING. VERIFY WITH MULTIMETER.

⚠ WARNING The Towel Warmer is an electronically operated device. It must be installed by a licensed electrician in accordance with local code and the National Electric Code (NEC). The Towel Warmer must be located in accordance with any prevailing codes and relevant electrical wiring rules and regulations, in particular regulations that cover the use of products and accessories in damp situations such as bathrooms, showers, laundries and other areas with fixed water containers.

⚠ CAUTION Install a wall switch or timer to turn the Towel Warmer on and off.

NOTE: When the Towel Warmer is energized, the indicator light on the Towel Warmer will illuminate. DO NOT alter or modify any MrSteam products. Doing so may result in an inoperable or hazardous installation and will void the warranty.

NOTE: The Towel Warmer wires are color coded: BLACK for LINE, WHITE for NEUTRAL, GREEN/YELLOW for EQUIPMENT GROUND.

⚠ WARNING A single gang electric box must be roughed-in, see page 4 for location.

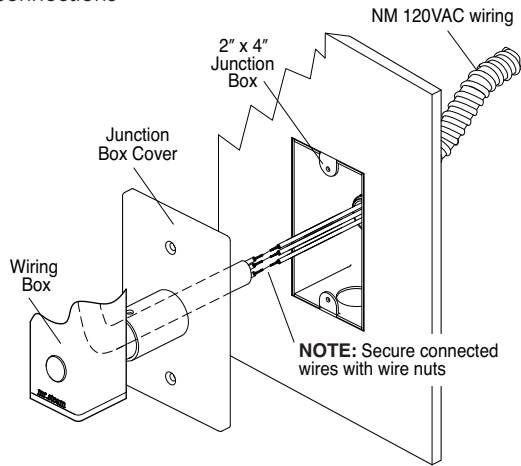
⚠ WARNING Install Towel Warmers in upright position only. Locate with pilot light on bottom as shown. Failure to install properly may result in over-heating and a hazardous condition.

ELECTRICAL CONNECTIONS

⚠ WARNING TO PREVENT SHOCK HAZARD, TURN OFF ELECTRICITY AT THE MAIN PANEL BEFORE WIRING. VERIFY WITH MULTIMETER.

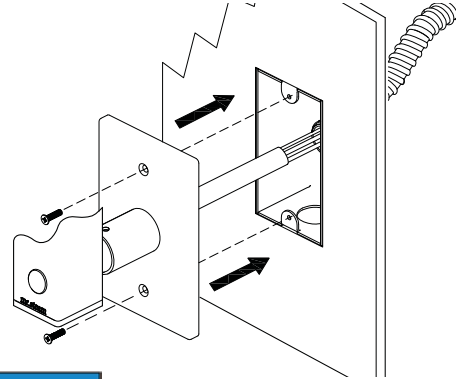
All wiring must conform to National Electrical and Local Codes.

1. Connect wiring per instructions page 8, Electrical Connections



NOTE: Secure connected wires with wire nuts

2. Slide the Towel Warmer with assembled inserts into the brackets and secure the Towel Warmer by tightening the bracket set screws provided (see figure 3). Secure junction box cover with screws provided. (Use longer screws as required by construction conditions.)

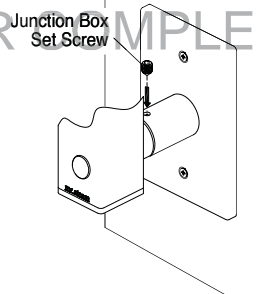


NOTICE The connected wires should be placed inside junction box before securing junction box cover.

NOTICE NM (non-metallic) cable, if permitted by National and Local Codes may be used instead of BX cable

REFER TO INSTALLATION, OPERATION AND MAINTENANCE MANUAL PROVIDED WITH PRODUCT FOR COMPLETE INSTRUCTIONS

3. Use the set screw to secure the wiring box to the junction box cover (as shown).



4. After properly installing Towel Warmer. Turn ON electricity at the main panel. Turn ON the Towel Warmer and allow 30+ minutes to warm up.

Drawings for illustrative purposes only

DIGITAL PROGRAMMABLE TIMER

Installation:

1. Read the operating instructions provided with the timer.
2. Disconnect power supply prior to installation to prevent electrical shock.
3. Damage to the contacts caused by short circuiting will void the warranty.
4. DO NOT place Towel Warmer units inside a shower, sauna or steam room enclosure or any other wet location or with elevated temperatures.
5. Wire in accordance with National Electrical and Local Code requirements. Be sure all connections are secure. Double check all twist-on wire connectors.

⚠ WARNING The Towel Warmer is an electronically operated device. It must be installed by a licensed electrician in accordance with local code and the National Electric Code (NEC).

5. Mount timer into wall box using supplied screws.
6. If timer does not operate, check that the timer's black wire is connected to hot line and not the load. If necessary, reverse connections to red and black wires
7. When the indicator light on the Towel Warmer is illuminated, the Towel Warmer is energized.