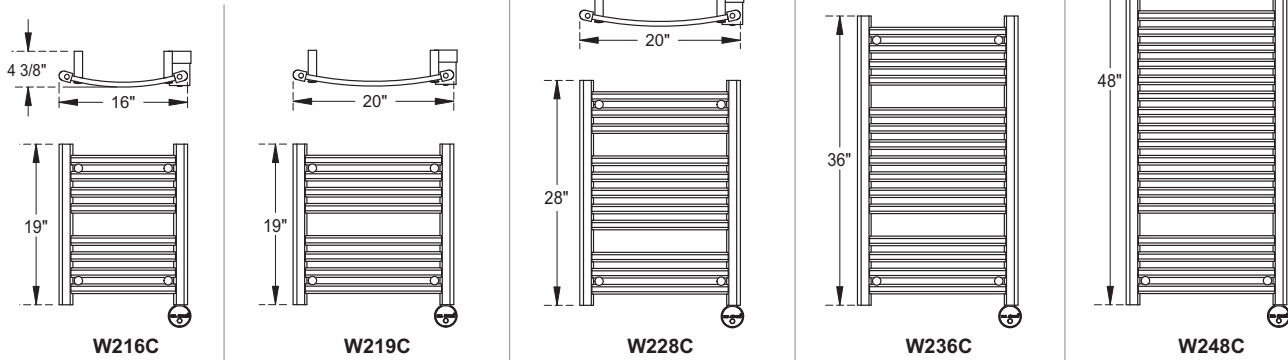


### Broadway Collection™ Towel Warmers



#### Design Features:

- Quality, design and performance you expect from a Mr. Steam product
- Prices that fit even the tightest budget
- Sleek Curved lines maximize surface heating area
- Simple elegance complements any bathroom
- All models need to be hard wired to 120V
- cULus listed

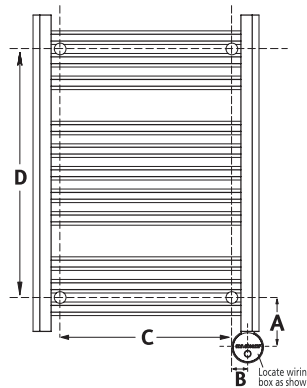
#### Accessories Available:

- Robe Hook: Ideal for hanging and gently warming a robe
- Single Towel Rack: For storing a draping facial or small towel
- Triple Towel Rack: Perfect for storing bath towels
- Digital Timer & Designer Finish Cover Plate: In wall, 24-hour electronic timer for pre-start and automatic shut-off of the towel warmer at programmed times. White cover plate standard, designer finishes available
- Aroma Oils: Earth friendly, organic essential oils contain an alcohol-free coconut emulsifier. AromaTherapy greatly enhances the bathing experience.

#### MOUNTING DIMENSIONS (inches)

| MODEL | A                              | B                             | C  | D                              | Weight (lbs) | Watts |
|-------|--------------------------------|-------------------------------|----|--------------------------------|--------------|-------|
| W216C | 4 <sup>5</sup> / <sub>16</sub> | 1 <sup>3</sup> / <sub>8</sub> | 11 | 13 <sup>3</sup> / <sub>8</sub> | 15           | 100   |
| W219C | 4 <sup>5</sup> / <sub>16</sub> | 1 <sup>3</sup> / <sub>8</sub> | 15 | 13 <sup>3</sup> / <sub>8</sub> | 17           | 200   |
| W228C | 4 <sup>5</sup> / <sub>16</sub> | 1 <sup>3</sup> / <sub>8</sub> | 15 | 21 <sup>5</sup> / <sub>8</sub> | 20           | 400   |
| W236C | 4 <sup>5</sup> / <sub>16</sub> | 1 <sup>3</sup> / <sub>8</sub> | 15 | 29 <sup>1</sup> / <sub>2</sub> | 24           | 400   |
| W248C | 4 <sup>5</sup> / <sub>16</sub> | 1 <sup>3</sup> / <sub>8</sub> | 15 | 41 <sup>3</sup> / <sub>8</sub> | 30           | 400   |

**NOTE:** Towel warmers have slight dimensional variations and must be measured prior to installation.



#### FOR ILLUSTRATIVE PURPOSES ONLY. IMPORTANT NOTE: FOR SAFE AND TROUBLE FREE INSTALLATION

visit [mrsteam.com](http://mrsteam.com) or scan the QR code before installation to download the Installation, Operation and Maintenance Manual or refer to the manual provided with the unit.



| MODEL                          | FINISH                                     | PROJECT INFORMATION |               |
|--------------------------------|--|---------------------|---------------|
| <input type="checkbox"/> W216C | <input type="checkbox"/> Polished Chrome   | Location:           | Contractor:   |
| <input type="checkbox"/> W219C | <input type="checkbox"/> White             | Architect:          | Submitted By: |
| <input type="checkbox"/> W228C | <input type="checkbox"/> Oil-Rubbed Bronze | Engineer:           | Date:         |
| <input type="checkbox"/> W236C |  |                     |               |
| <input type="checkbox"/> W248C |  |                     |               |
| Notes:                         |  |                     |               |