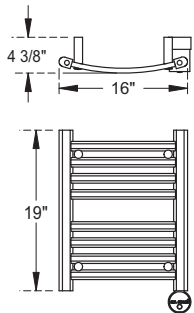
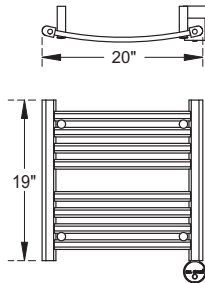


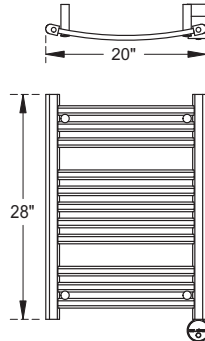
### Broadway Collection® Towel Warmers



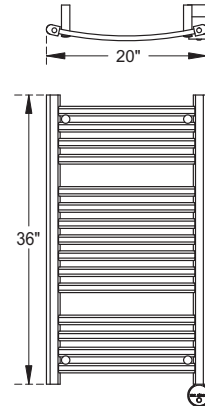
W216C



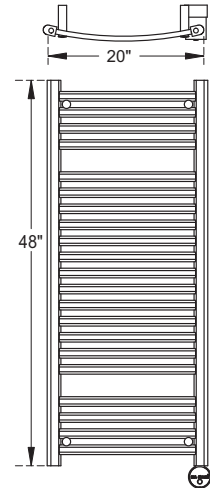
W219C



W228C



W236C



W248C

#### Design Features:

- Quality, design and performance you expect from a Mr. Steam product
- Prices that fit even the tightest budget
- Sleek Curved lines maximize surface heating area
- Simple elegance complements any bathroom
- All models need to be hard wired to 120V
- cULus listed

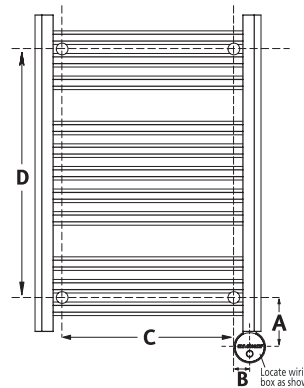
#### Accessories Available:

- Robe Hook: Ideal for hanging and gently warming a robe
- Digital Timer & Designer Finish Cover Plate: In wall, 24-hour electronic timer for pre-start and automatic shut-off of the towel warmer at programmed times. White cover plate standard, designer finishes available
- Aroma Oils: Earth friendly, organic essential oils contain an alcohol-free coconut emulsifier. AromaTherapy greatly enhances the bathing experience.

#### MOUNTING DIMENSIONS (inches)

MODEL	A	B	C	D	Weight (lbs)	Watts
W216C	4 <sup>5</sup> / <sub>16</sub>	1 <sup>3</sup> / <sub>8</sub>	11	13 <sup>3</sup> / <sub>8</sub>	15	100
W219C	4 <sup>5</sup> / <sub>16</sub>	1 <sup>3</sup> / <sub>8</sub>	15	13 <sup>3</sup> / <sub>8</sub>	17	200
W228C	4 <sup>5</sup> / <sub>16</sub>	1 <sup>3</sup> / <sub>8</sub>	15	21 <sup>5</sup> / <sub>8</sub>	20	400
W236C	4 <sup>5</sup> / <sub>16</sub>	1 <sup>3</sup> / <sub>8</sub>	15	29 <sup>1</sup> / <sub>2</sub>	24	400
W248C	4 <sup>5</sup> / <sub>16</sub>	1 <sup>3</sup> / <sub>8</sub>	15	41 <sup>3</sup> / <sub>8</sub>	30	400

**NOTE:** Towel warmers have slight dimensional variations and must be measured prior to installation.



#### FOR ILLUSTRATIVE PURPOSES ONLY. IMPORTANT NOTE: FOR SAFE AND TROUBLE FREE INSTALLATION

visit [mrsteam.com](http://mrsteam.com) or scan the QR code before installation to download the Installation, Operation and Maintenance Manual or refer to the manual provided with the unit.



MODEL	FINISH	PROJECT INFORMATION	
<input type="checkbox"/> W216C	<input type="checkbox"/> Polished Chrome	Location:	Contractor:
<input type="checkbox"/> W219C	<input type="checkbox"/> White	Architect:	Submitted By:
<input type="checkbox"/> W228C	<input type="checkbox"/> Oil-Rubbed Bronze	Engineer:	Date:
<input type="checkbox"/> W236C			
<input type="checkbox"/> W248C			
Notes:			