



Installation, Operation & Maintenance Manual

AudioWizard®

mr.steam® | Feel Good Inc.

IMPORTANT SAFETY INSTRUCTIONS

- Read these instructions.
- Keep these instructions.
- Heed all warnings.
- Follow all instructions.
- Do not use this apparatus near water.
- Clean only with a dry cloth
- Do not block any ventilation openings. Install in accordance with the manufacturer's instructions.
- Do not install near any heat sources such as radiators, heat registers, stoves or other apparatus (including amplifiers) that produce heat.
- Do not defeat the safety purpose of the polarized or grounding type plug. A polarized plug has two blades with one wider than the other. A grounding type plug has two blades and a third grounding prong. The wide blade or the third prong are provided for your safety. If the provided plug does not fit into your outlet, consult an electrician for replacement of the obsolete outlet.
- Protect the power cord from being walked on or pinched, particularly at plugs, convenience receptacles and the point where they exit from the apparatus.
- Only use attachments/accessories specified by the manufacturer.
- Unplug this apparatus during lightning storms or when unused for long periods of time.
- Refer all servicing to qualified service personnel. Servicing is required when the apparatus has been damaged in any way, such as power-supply cord or plug is damaged, liquid has been spilled or objects have fallen into the apparatus, the apparatus has been exposed to rain or moisture, does not operate normally or has been dropped.

As you follow these instructions, you will notice warning and caution symbols. This blocked information is important for the safe and efficient installation and operation of this AudioWizard control. These are types of potential hazards that may occur during installation and operation:

! WARNING states a hazard may cause serious injury or death if precautions are not followed.

! CAUTION signals a situation where minor injury or product damage may occur if you do not follow instructions.

IMPORTANT NOTE:

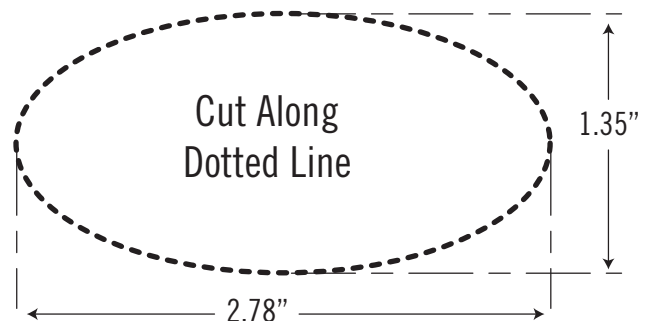
This highlights information that is especially relevant to a problem-free installation.

Table of Contents:

INSTALLATION	_____
Safety Instructions2
Installation Template2
Box Contents3
Wiring & Speaker Connections3
Dimensional Information3
Control Options4
Locating the AudioWizard4
Mounting Instructions4
AW Control Cable Installation5
Installation of the AudioWizard Control5
OPERATION	_____
Connecting the Control to AudioWizard6
Pairing with a Bluetooth Device6
iSteam Interface7
AW Control Interface7
Specifications8
Warranty8

Stand Alone AW Control Cut-out Template

IMPORTANT NOTE: This cut-out is not required when using the iSteam® to control AudioWizard.



! CAUTION These servicing instructions are for use by qualified service personnel only. To reduce the risk of electric shock, do not perform any servicing other than that contained in the operating instructions.

AudioWizard™

The AudioWizard sound system is the perfect way to bring music into your steam room or shower. The AudioWizard is easy to install and is compatible with many audio sources such as portable music players and smart phones equipped with Bluetooth®.

The AudioWizard can be controlled with the iSteam steambath control or with the AudioWizard stand-alone control.

The AudioWizard is equipped with a Bluetooth® transceiver and an amplifier to host your speakers.

Just pair your Bluetooth® device and start playing your favorite music. Digital files or internet radio from your audio device will be sent wirelessly to the AudioWizard device located behind the wall, above the ceiling, or within a vanity closet.

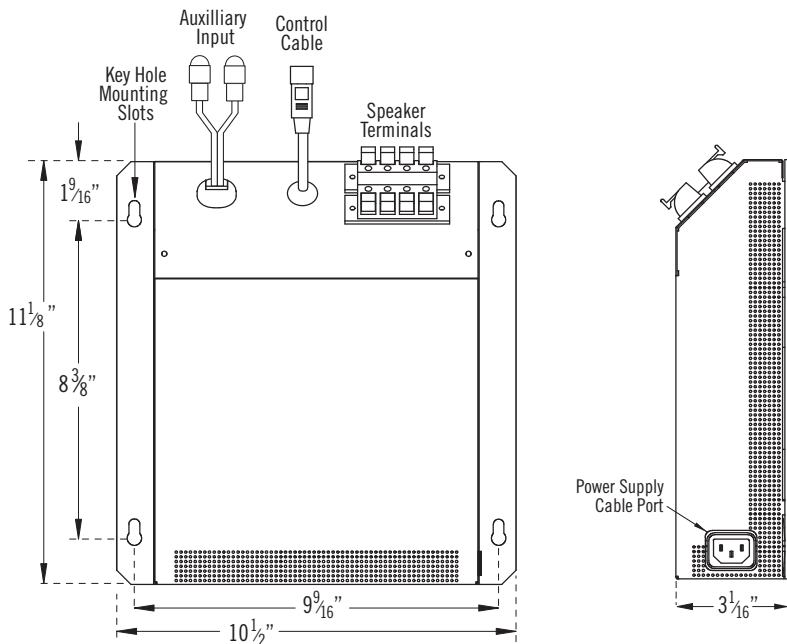
BOX CONTENTS:

- A:** AudioWiz-iS
(use with iSteam® control)
 - AudioWizard
- OR
- B:** AudioWiz-Wh or AudioWiz-BK
(use with eTempo & iTempo controls)
 - AudioWizard
 - AW Control (white or black)

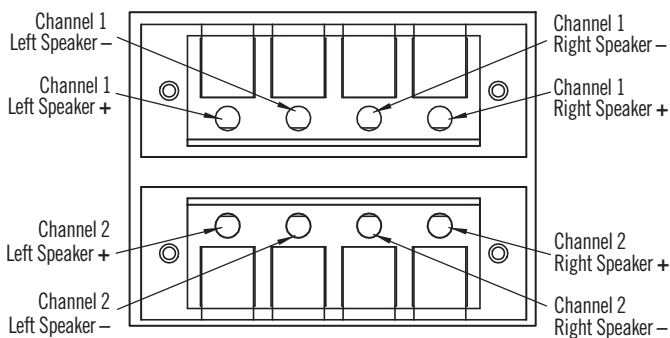
! WARNING Prolonged use of the steam system can raise excessively the internal human body temperature and impair the body's ability to regulate its internal temperature (hyperthermia). Limit your use of steam to 10 -15 minutes until you are certain of your body's reaction.

See the Mr. Steam Residential Steam Bath Generator System Installation Operation and Maintenance manual (PUR 100472) for complete details on steam room use. The manual can be downloaded at www.mrsteam.com/support/downloads.html

Wiring Connections and Dimensional Information



Speaker Connections



! WARNING

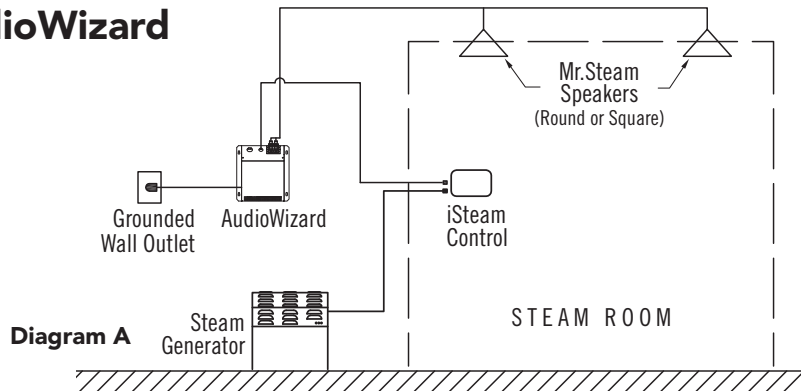
NOTE: This unit is designed to connect 4 speakers. If the installation requires only 2 speakers, use the top row of terminals (Channel 1 Left and Right) to connect the speakers.

- DO NOT** connect speaker ground wires together.
- DO NOT** connect front and rear speaker wires together.
- DO NOT** bridge channels

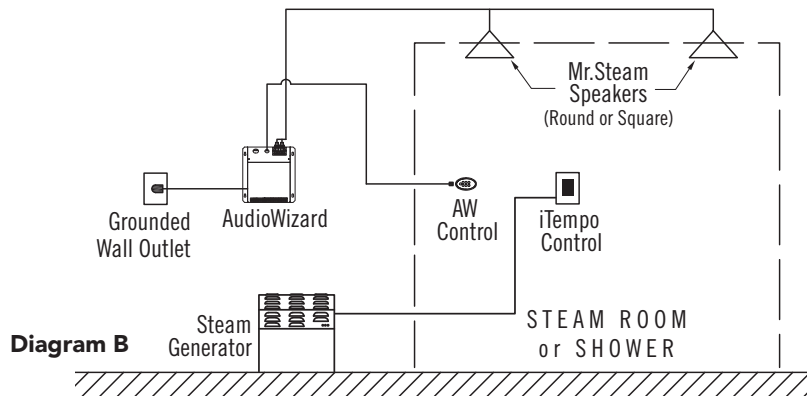
All drawings are for illustrative purposes only.

Control Options for the AudioWizard

A. Operating the AudioWizard with the iSteam control.



B. Operating the AudioWizard with the AudioWizard stand-alone control.



Locating the AudioWizard

The AudioWizard control cable is 30ft and the power cord is 6ft, ensure the control and AudioWizard are located accordingly. Locate in a dry location where the wireless signal will not be interrupted. Test Bluetooth® signal before mounting AudioWizard.

! WARNING ELECTRIC SHOCK HAZARD!

To reduce the risk of fire or electric shock, do not expose this apparatus to rain or moisture. DO NOT install AudioWizard in the steam room or any location where it may become wet.

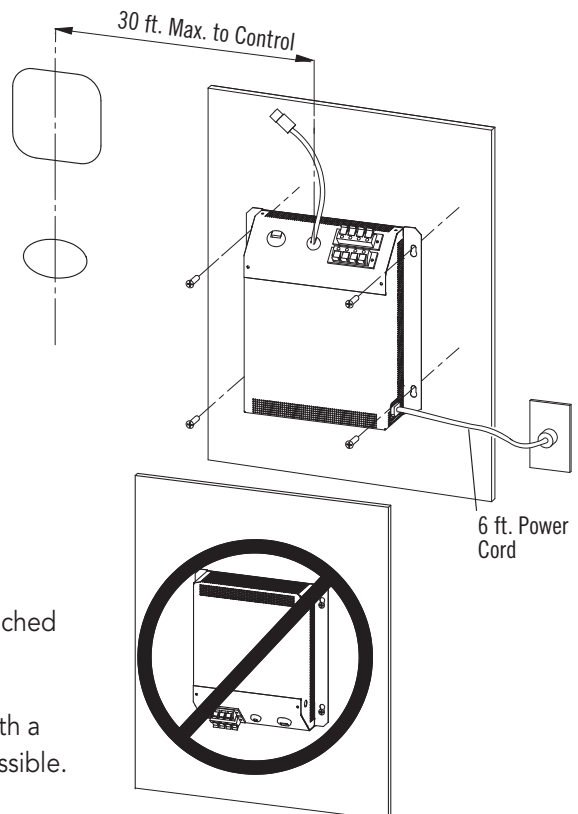
Mounting Instructions

The AudioWizard should be installed on a vertical surface.

! CAUTION ONLY install AudioWizard in the upright position as illustrated.

! WARNING To prevent injury, AudioWizard must be securely attached to the wall in accordance with the installation instructions.

! WARNING AudioWizard shall be connected to a main socket with a protective earthing connection. The socket shall remain readily accessible.



All drawings are for illustrative purposes only.

AW Control Cable Installation

CAUTION Do not force or twist cable ends together. Forcing or twisting cable ends may damage the connectors.

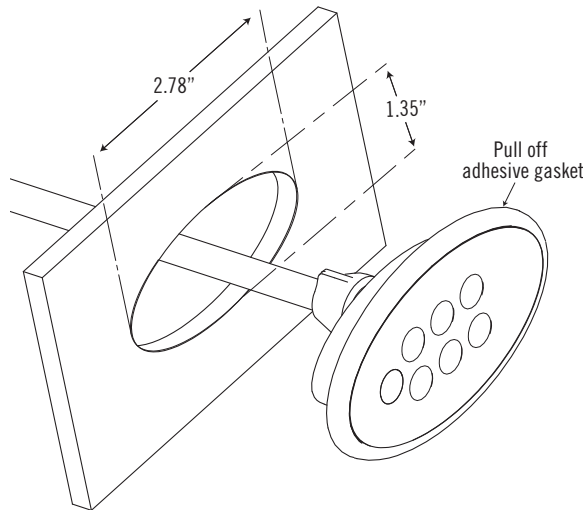
CAUTION Do not route the AudioWizard control cable inside conduit together with power wires, close to hot water or steam piping. Do not strain, staple, pinch or otherwise damage the AudioWizard control cable. Doing so may result in an inoperative installation.

Route the AudioWizard control cable from the AudioWizard to the desired control location. If using an iSteam control see the iSteam Control IOM (PUR 100477) for complete details on locating and installing the iSteam control.

AW Control Installation

(The AW control is not required when used with an iSteam Control.)

To install the AW control, select the most appropriate location for the control and use the cut-out template on page 2 to prepare the surface. Clean the surface, peel the backing paper from the adhesive on the control and insert the control into the hole (see illustration).



Connecting the Control to AudioWizard®

The AudioWizard must be connected to either the iSteam Control® or the AW Control as shown. AudioWizard is supplied with a 30 ft. cable that has 6-pin mini-din male connectors on each end.

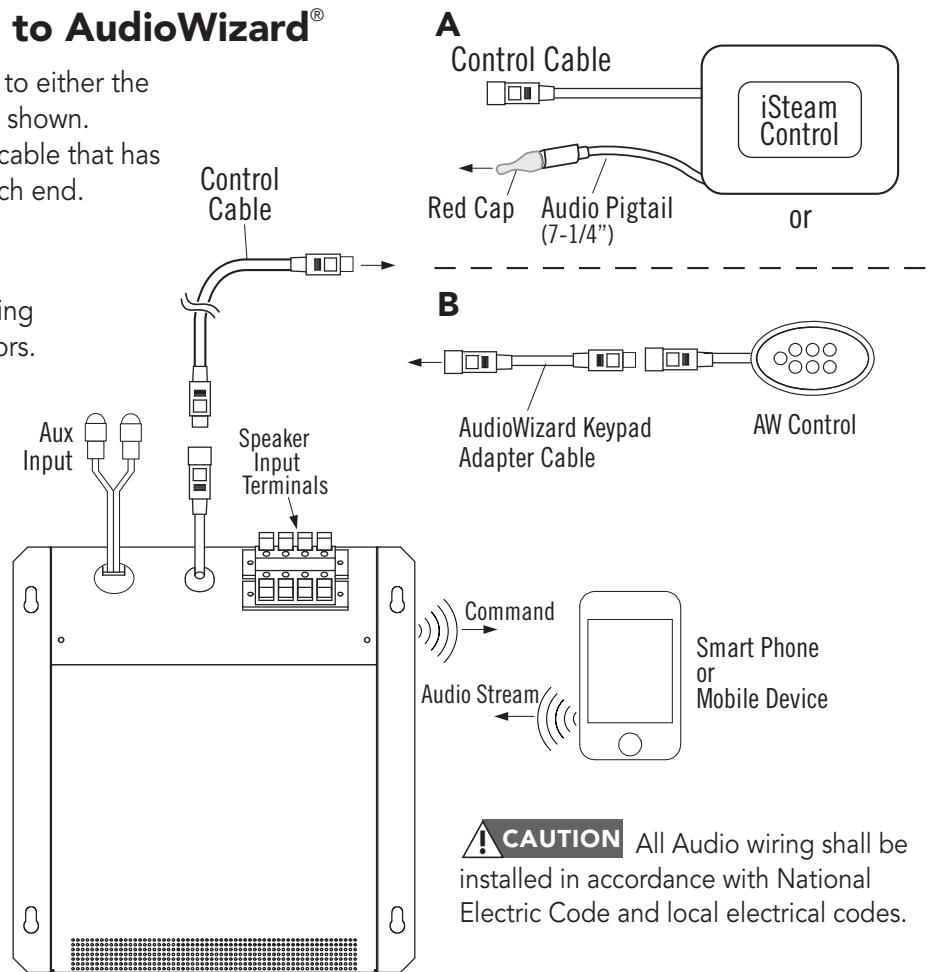
CAUTION Do not force or twist cable ends together. Forcing or twisting cable ends may damage the connectors.

iSteam

iSteam's audio pigtail is the shorter of the two pigtails, it is covered with a red cap. remove the red cap and plug in the cable.

AW Control

The AudioWizard control requires the use of an adapter cable supplied with the AudioWizard. The adapter cable must be plugged in between the AudioWizard 30 ft. control cable and the AudioWizard control as shown.



CAUTION All Audio wiring shall be installed in accordance with National Electric Code and local electrical codes.

OPERATION

Pairing with a Bluetooth Device

The AudioWizard system is ready to pair when it is not already connected to another device. To pair your device with the AudioWizard, first make sure you are in range of the AudioWizard system, and that it is turned on.

1. Open the Bluetooth settings on your device. Refer to your device manufacturer for specific instruction on how to reach these settings.
2. In these settings, turn Bluetooth on (if it is not already on)
3. Choose "Mr. Steam Audio" from the list of available devices.
4. When prompted, enter 5555 as the password.

Your mobile device should now be paired with the AudioWizard system and ready to use.

The AudioWizard will keep up to 8 devices in its memory. If one of these devices is in range it will automatically pair

with the AudioWizard.

If the number of devices used with AudioWizard exceeds 8 the first device in its memory will be automatically erased. The device can easily be added by following the steps for pairing. It is possible to erase all pairing information from the memory by holding down the AUX button for 10 seconds and then releasing.


If more than one device tries to connect to the AudioWizard system, the priority goes to the first device that is available during searching.













Bluetooth Connection

Once the Bluetooth pairing is complete and connection has been established between the devices, the AudioWizard will be ready to start playing audio.

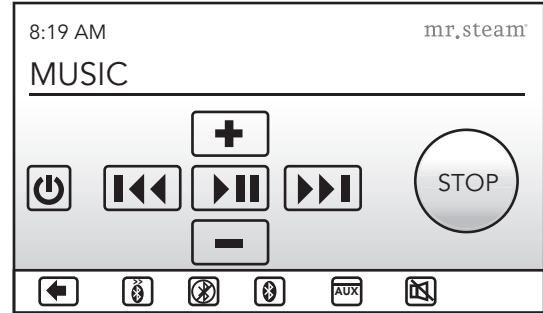
If the mobile device moves out of range and loses connection it should reconnect automatically as soon as it moves back into range.

A. iSteam® Interface

Press the MUSIC button  to access the AudioWizard screen

- | | | | |
|---|--|---|-------------------------------------|
|  | Turn AudioWizard ON/OFF |  | Return to Previous Screen |
|  | Previous Track
<i>(Bluetooth® only)</i> |  | Select the next Bluetooth source |
|  | Play/Pause
<i>(Bluetooth only)</i> |  | Unpair all Bluetooth pairings |
|  | Next Track
<i>(Bluetooth only)</i> |  | Select Bluetooth music source |
|  | Increase Volume |  | Select wired auxiliary music source |
|  | Decrease Volume |  | Mute |

iSteam Control AudioWizard Interface



If you are using a Bluetooth audio source, it must be connected for functions to work. Please refer to the Bluetooth® pairing instructions in this manual. Please note that the Play/Pause and Change Track functions apply to Bluetooth only, and will not work when AUX is selected as the source.

B. AudioWizard™ Control Interface

Turning Power On/Off

iSteam Control: Press the power button.

AW Keypad: Press and hold the PLAY/ PAUSE button to turn the unit off. With the unit off, press any button to turn it back on. When the AudioWizard turns OFF a beep will sound through the speakers.

Selecting the Source

Press the BLUETOOTH button to select a Bluetooth device. Press the AUX button to use a device connected to the auxiliary cable.

Play/Pause Audio

Press the PLAY/PAUSE button to start or pause the audio.

Adjusting the Volume

Press the VOLUME UP or the VOLUME DOWN buttons to increase or decrease the volume.

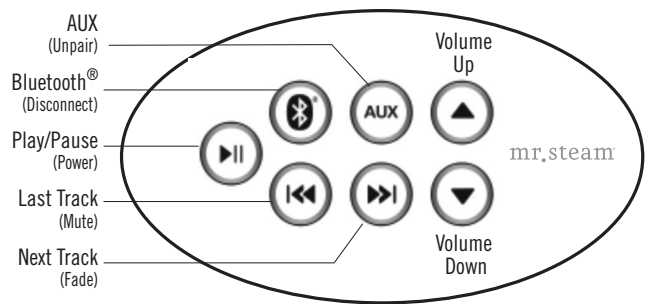
Mute

iSteam Control: Press the MUTE button to mute and again to unmute.

AW Keypad: Press and hold down the LAST TRACK button to mute, and again to unmute.

Changing Tracks

Press the LAST TRACK or the NEXT TRACK buttons to change tracks.



To Erase all Bluetooth Pairing Stored in AudioWizard

iSteam Control: Press the ERASE Bluetooth pairing button.

AW Keypad: Press and hold the AUX key for 10 seconds

To Select another Bluetooth® Device Paired to the AudioWizard System

iSteam Control: Press the NEXT Bluetooth source button.

AW Keypad: Press and hold the BLUETOOTH key for 10 seconds. Press and hold the BLUETOOTH key for 10 seconds to disconnect the current Bluetooth device from the AudioWizard system. Note that this will not erase the pairing from the system's memory.

Auxiliary Input

Press the AUX button to select the wired Auxiliary input as the music source.

Specifications

Part Number

MS AudioWizard

Environmental

Operating Temperature: -4°F (-20°C) to 140°F (60°C)

Storage Temperature: -22°F (-30°F) to 185°F (85°C)

Mechanical

Weight: 8 pounds

Dimensions (W x H x D): 11 1/8" x 10 1/2" x 3 1/16"

Electrical

Input Voltage: ~120VAC 50-60Hz

Max input current: Up to 2A (install current limiting device as required)

Speaker Impedance: 8 Ohm

Audio

Audio source supported: Bluetooth streaming and Auxiliary input

Maximum power output: 40W x 4 ch (160W total)

Auxiliary Input

Stereo: Yes

Connection type: 2 x RCA L + R

Compatibility

Portable devices with Bluetooth: V 2.0 A, AVDTP

Applicable Standards

FCC

Warranty

To view or download the Mr. Steam® Accessory Warranty and register your product go to: blog.mrsteam.com/wr



mr.steam® | Feel Good Inc. | www.mrsteam.com

Products, information and specifications are subject to change without notice. For more information call Sales & Support at 1.800.76.STEAM (East Coast) or 1.800.72.STEAM (West Coast) for more information.

mr.steam® Sussman-Automatic Corporation® | hello@mrsteam.com | www.mrsteam.com

43-20 34th Street, Long Island City, NY 11101 | 9410 S. La Cienega Blvd. Inglewood CA 90301

1 800 76 STEAM FAX: 718 472 3256 | 1 800 72 STEAM FAX: 310 216 2944