

The iButler Package

From Bathroom to Spa

We've made it easy to choose the right Mr.Steam® system for your lifestyle.

The Mr.Steam iButler Package combines some of the best Mr.Steam controls and accessories. Mr.Steam offers two iButler Packages, depending on the steam generator model selected.

All iButler Packages include an iSteam® Control available in white or black.

iBUTLER PACKAGE 1

Suitable for models MS90E through MS SUPER 3E steam generators:

- (1) iSteam® Control
- (1) AromaSteam Steamhead
- (1) AutoFlush® System
- (1) iGenie™ Control
- (1) Drip Pan

iBUTLER PACKAGE 2

Suitable for models MS SUPER 4E through MS SUPER 6E steam generators:

- (1) iSteam® Control
- (2) AromaSteam Steamhead
- (2) AutoFlush® System
- (1) iGenie™ Control
- (2) Drip Pan

NOTE: FOR ILLUSTRATIVE PURPOSES ONLY.

IMPORTANT: See the Mr. Steam Installation, Operation and Maintenance Manual, PUR 100472 for details.

Click here to download this manual:

<http://www.mrsteam.com/support/downloads.html>

iSteam Control



iSteam Steamhead



AutoFlush System



iGenie Control



Drip Pan

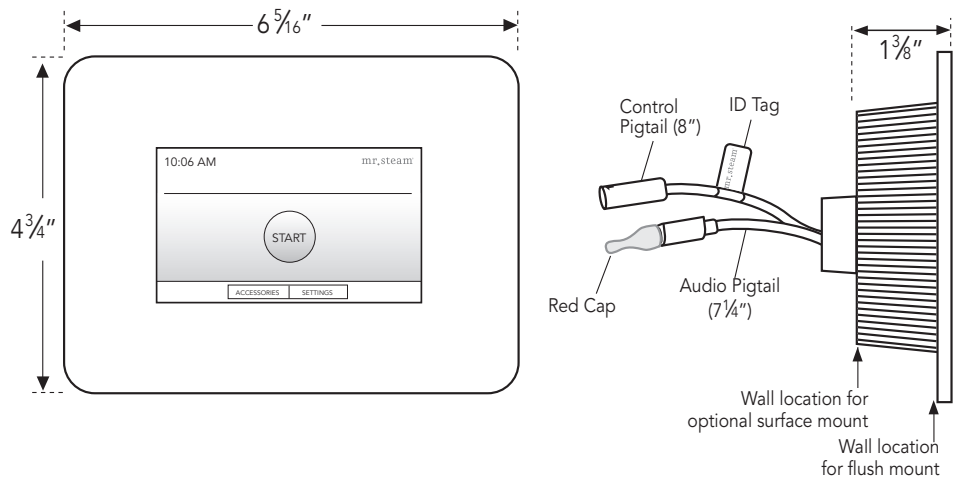


iSteam® Control

Box Contents:

- iSteam® Control
- Owner's Manual
- Control Cable (30 ft.)
- Rough-In Box
- Steamhead
- Optional Surface
- Tube of Silicone Sealant Mount Gasket

Dimensional Information



iSteam controls flush mount in the steam/shower enclosure through a 5-1/4" wide x 3-9/16" high hole. iSteam controls can also be surface mounted. They are suitable for use with an available iGenie™ control. Available in black or white.

iSteam controls are suitable for use inside or outside the steam/shower enclosure, featuring:

- Full color LCD touch screen
- Programmable temperature
- Programmable time
- Two user presets
- Control AromaSteam, ChromaSteam® and AudioWizard™
- Passcode to prevent unintentional use of steam bath
- Includes AromaSteam steam head in white or black
- Compatible with iGenie™
- Low voltage operation

The iSteam controls are designed to be installed inside or outside the steam room but is primarily installed inside the steam room. If the control is installed inside the steam room the control must be located:

- 4-5 feet above the floor
- In a location representative of the desired steam bathing temperatures near the bather seating area. Do not locate the control above or near the steam head or direct steam emissions.
- On a vertical wall

The control cable length is 30 feet. Insure that the control and/ or steam generator are located accordingly. If the control is installed outside the steam room a Remote Temperature Probe Part Number iMSTS must be installed inside the steam room.

NOTE: FOR ILLUSTRATIVE PURPOSES ONLY.

IMPORTANT: See the iSteam Control Installation, Operation and Maintenance Manual, PUR 100477 for details.

Click here to download this manual: <http://www.mrsteam.com/support/downloads.html>

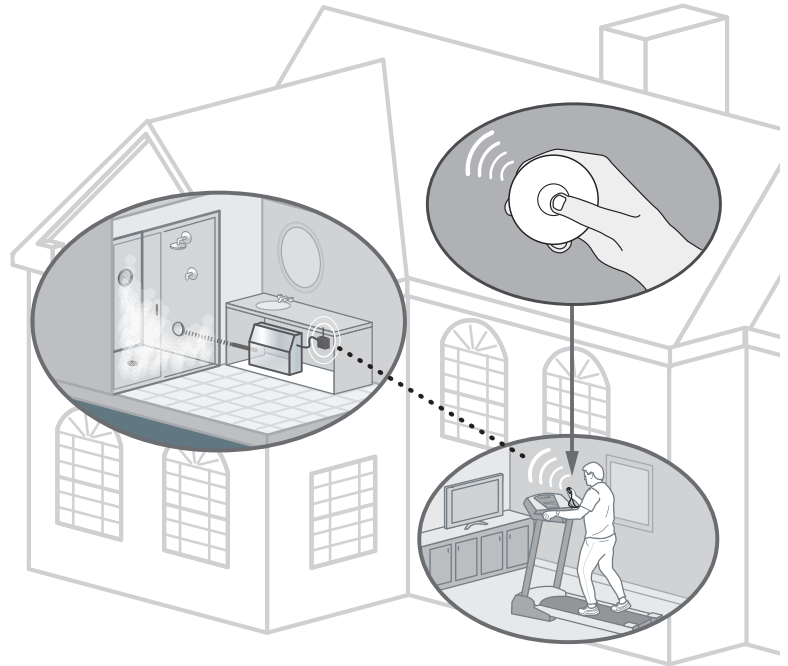
iGenie™

BOX CONTENT

- iGenie™
- iGenie Wall Mount
- Interface Module
- 5 ft. Module Connection Cable
- 2 Module mounting Screws
- Installation and Operation Instructions

iGENIE INTERFACE MODULE INSTALLATION

- Connect the iGENIE INTERFACE MODULE to the generator by plugging in the provided 5 foot cable to the iGENIE INTERFACE MODULE and the Steam Genie connector on the side of the generator as shown.
- Mount the iGENIE INTERFACE MODULE in a dry, indoor location. For maximum range, the Steam Genie Interface Module should be mounted as high as practical and away from metal that could effect the radio signal. Securing it to a nearby wood stud is ideal. The antenna should be pointing upwards.



iGENIE OPERATION

- When the Steam Genie FOB light is off, press the button once and the Steam Genie FOB light indicates if the steam is on or off. When you press the button, the light will momentarily twinkle between red and green. A red light indicates that the steam is off and a green light indicates that the steam is on.
- To turn the steam on or off, press the ON/OFF button again while the light is illuminated. After a short delay the light will change from red to green (steam on) or green to red (steam off).

NOTE: FOR ILLUSTRATIVE PURPOSES ONLY.

IMPORTANT: See Mr.Steam® Steam Genie Installation, Operation and Maintenance Manual, PUR 100449, for details.

Click here to download this manual:

<http://mrsteam.com/products/technical-downloads.html>

AutoFlush®

AutoFlush Shown Fully Assembled

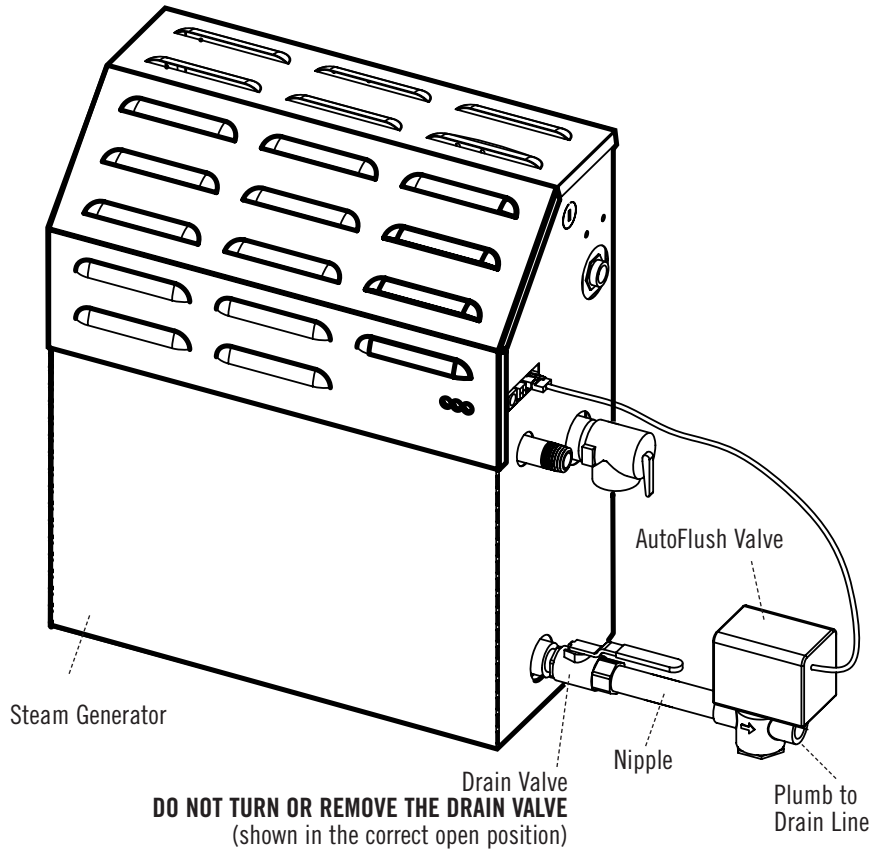
Box Contents

- AutoFlush Valve with Cord
- Installation instructions

Operation

The optional AutoFlush System feature automatically drains the Mr.Steam® system following each use. A time delay allows the water to cool down (about two hours) before it drains by gravity for a safe and gentle operation.

Note: If the Express Steam® option has been installed, the AutoFlush will drain for ten minutes then refill with fresh water to begin the pre-heat cycle.



Our exclusive AutoFlush® automatically and electronically drains the system, providing CleanSteam... Every Time® and introduces fresh water.

NOTE: FOR ILLUSTRATIVE PURPOSES ONLY.

IMPORTANT: See the Mr. Steam Installation, Operation and Maintenance Manual, PUR 100472 for details.

Click here to download this manual: <http://www.mrsteam.com/support/downloads.html>

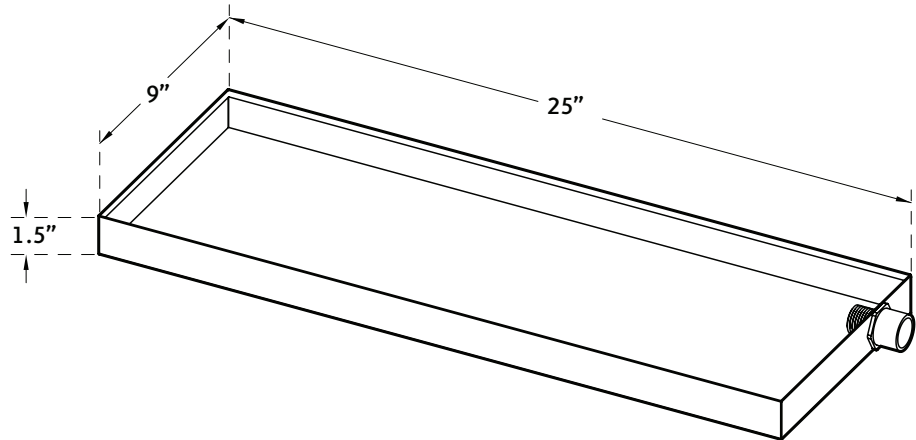
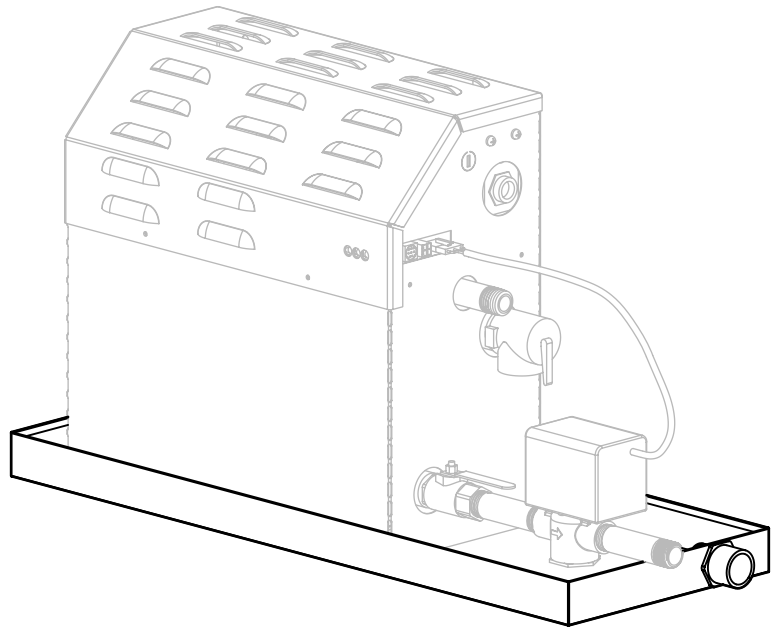
Drip Pan MS 103867

Mr. Steam strongly recommends the use of a drain pan in the unlikely event of a plumbing leak.

Locate the drain pan on a solid level surface and place the steam generator inside the drain pan. Insure the steam generator is level.

All plumbing shall be performed by a qualified licensed plumber and in accordance with applicable national and local codes. Check local plumbing code for receptor, trap and vent requirements. Drain pans drain by gravity.

The drain pan is equipped with an integral 3/4" NPT fitting.



NOTE: FOR ILLUSTRATIVE PURPOSES ONLY.

IMPORTANT: See the Mr. Steam Installation, Operation and Maintenance Manual, PUR 100472 for details.

Click here to download this manual: <http://www.mrsteam.com/support/downloads.html>