

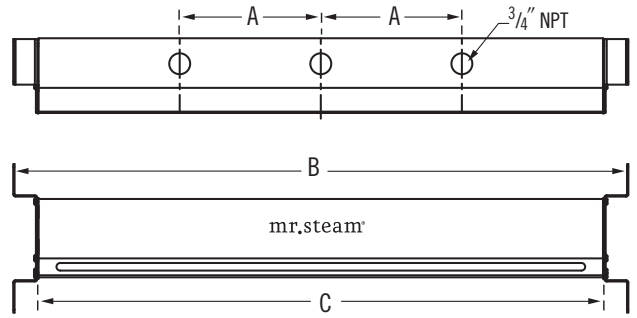
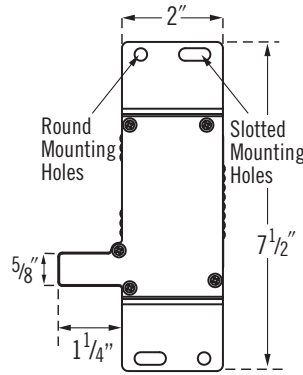
Linear Steam Head

- Quiet, even distribution of steam
- No field assembly required
- No moving parts
- Minimal profile

Linear Steamhead Installation (3/4" NPT)

IMPORTANT: Do not disassemble steamhead. MrSteam's steamhead is shipped fully assembled and requires no additional assembly.

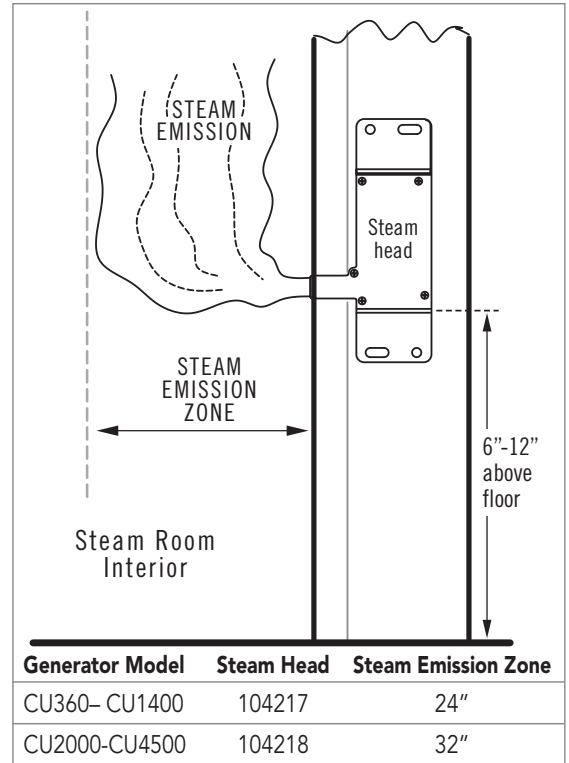
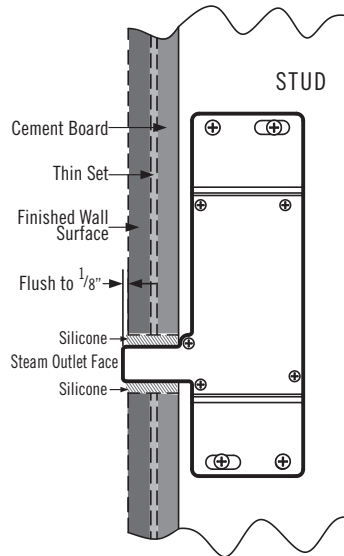
Locate steamhead 6-12 inches above floor, except for tub/shower enclosures; install 6 inches above tub top edge.



Model	A	B	C
104217	6 1/4"	27 1/8"	25 1/8"
104218	10 1/4"	43 1/8"	41 1/8"

CAUTIONS

- Because the steamhead and direct steam emissions are very hot, locate the steamhead where incidental contact by bather with the steamhead or direct steam emission cannot occur.
- Consult local building codes when installing 104217 & 104218. Codes may require the use of headers, jack studs, king studs and/or cripple studs.
- Linear steamheads shall only be used with the model listed in the chart on page 2. Using Linear steamheads for any steam generator model larger than those listed or for any non MrSteam brand generators may result in an improper installation or hazardous condition.
- Install in a horizontal orientation only. Installation in a vertical orientation may concentrate the steam and result in excessive temperatures.



FOR ILLUSTRATIVE PURPOSES ONLY. IMPORTANT NOTE: FOR SAFE AND TROUBLE FREE INSTALLATION visit mrsteam.com or scan the QR code before installation to download the Installation, Operation and Maintenance Manual or refer to the manual provided with the unit.



MODEL	PROJECT INFORMATION	
<input type="checkbox"/> 104217: CU360-CU1400	Location:	Contractor:
<input type="checkbox"/> 104218: CU2000-CU4500	Architect:	Submitted By:
	Engineer:	Date:
Notes:		