



Installation & Operation Manual

AromaFlo®

mr.steam® | Feel Good Inc.®

! WARNING RISK OF ELECTRIC SHOCK - This pump is supplied with a grounding conductor and grounding-type attachment plug. To reduce the risk of electric shock, be certain that it is connected only to a properly grounded, grounding-type receptacle.

! AVERTISSEMENT RISQUE DE CHOC ÉLECTRIQUE - Cette pompe est fournie avec un conducteur de mise à la terre et une fiche de branchement de type mise à la terre. Pour réduire le risque de choc électrique, assurez vous qu'il est connecté uniquement à une mise à la terre, à la terre prise.

! WARNINGS

- Do not use with water soluble fragrance or fragrance containing emulsifiers or aldehydes. AromaFlo system damage may result. MrSteam oils are approved for operation with this system.
- The use of any oils other than MrSteam oils may introduce excessive concentration of oil into the steam room, resulting in a health hazard.
- Vapors may cause drowsiness and dizziness. Keep out of the reach of children. In case of contact with eyes, rinse immediately with plenty of water and seek medical advice. If swallowed, rinse mouth with water (only if the person is conscious), seek medical advice immediately and show this container or label.
- Highly Flammable. Keep away from sources of ignition—No smoking. Keep container tightly closed & in a well-ventilated place. This material & its container must be disposed of as hazardous waste.
- Not for use in acrylic or fiberglass rooms. Material Safety Data Sheet (MSDS) available upon request

IMPORTANT NOTE: As you follow these instructions, you will notice warning and caution symbols. This blocked information is important for the safe and efficient installation and operation of this generator. These are types of potential hazards that may occur during installation and operation:

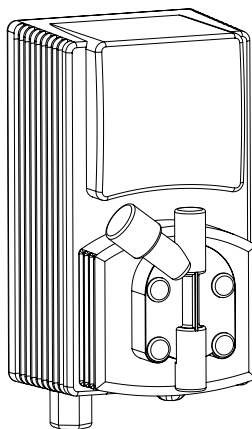
! WARNING states a hazard may cause serious injury or death if precautions are not followed.

! CAUTION signals a situation where minor injury or product damage may occur if you do not follow instructions.

IMPORTANT NOTE: This highlights information that is especially relevant to a problem-free installation.

TABLE OF CONTENTS

Box Contents	3
Assembly and Installation	
General	3
Pump Assembly	4
Installation of Hoses	4
System Schematic	5
Electrical Wiring	5
Assembly Diagram	6
Start-up	
Initial Priming of Metering Pump	7
Filling the Pressure Hose	7
Operation	7
Powering Up Pump	7
Adjusting oil Delivery Pump	7
Troubleshooting	8
Technical Information	8
Warranty	8



Fragrance Metering Pump for Commercial Steam Rooms
CU-AromaFloA 120V

WARNING!

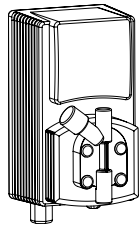
This room is equipped with an aromatic oil dispensing system. Leave room immediately if you have any adverse or allergic reactions, including difficulty breathing or eye, nasal, throat.

Sussman-Automatic Corp.
3-20 34th Street, Long Island City NY 11101
1-800-76 STEAM

PUR 100381 3/02

NOTE: It is strongly recommended that this warning sign (supplied) be posted in a conspicuous location near the steam room.

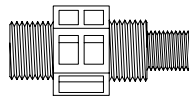
BOX CONTENTS



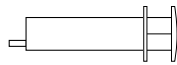
Metering Pump



8 ft.
Pressure Hose



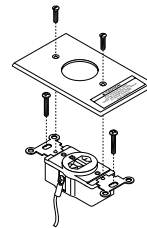
1/4 x 1/2 NPT
Atomizing Nozzle



Injector



Warning Sign



Receptacle and
Face Plate



Installation &
Operation Manual

Additional Items Included but Not Shown:

- 2x Mounting Screws and Anchors for Pump
- 2x Mounting screws and Anchors for Warning Sign
- Soft tubing for priming with injector

GENERAL INSTALLATION

!WARNING Do Not alter or modify any MrSteam product. Doing so may result in an inoperable or hazardous installation and will void the warranty.

!CAUTION The AromaFlo pump is qualified for use with MrSteam commercial steam generators. The use with other brand equipment must be qualified by installation owner/installer. For use with commercial steam rooms only. Not for use in residential installations.

1. MrSteam AromaFlo Pumps are designed and intended for indoor use only and are to be located indoors in a dry clean location and not subject to moisture, condensation or similar high humidity environments.
2. Do not install AromaFlo Pumps outdoors.
3. Do not install AromaFlo Pumps in a location where water could freeze.
4. Do not install AromaFlo Pumps near flammable or corrosive materials and chemicals. Installation in areas having high concentrations of chlorine (such as pool equipment room) should be avoided.
5. Install AromaFlo Pump on a solid and level surface.
6. Provide access to AromaFlo Pump for servicing.
7. The unit should not be installed in areas accessible to the general public (ie: utility room). A LOCKED UTILITY ROOM IS STRONGLY RECOMMENDED.
8. Height difference between metering pump and 90 degree T is to be held to a maximum 6 feet (see page 5).
9. Place scent container below metering pump. Height difference between metering pump and scent container is to be no greater than a maximum of 3 feet (see page 5).

Clearance to heat sources

- Do not install the metering pump directly below or above the steam generator where it is subject to heat.
- Distance between metering pump and heat source (e.g. steam generator, heating system) minimum 3 ft. If this distance of minimum 3 ft cannot be maintained, install a radiation plate or heat insulation between the heat source and metering pump.
- Ambient temperature at pump should not exceed 90° F.

Tubing Connections

1. Completely unscrew tightening nut from pump head (or fitting) and remove components
2. Assemble tubing components as shown in figure 1.

IMPORTANT NOTE: To prevent connection from coming undone, insert tubing holder completely into tubing until it reaches the bottom. Lubricate the ID of the tubing as required with soap to facilitate insertion.

!CAUTION To prevent damage do not use tools to tighten the nut.

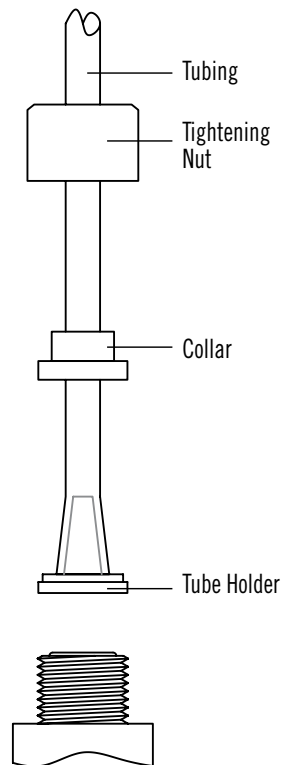


Figure 1

PUMP ASSEMBLY

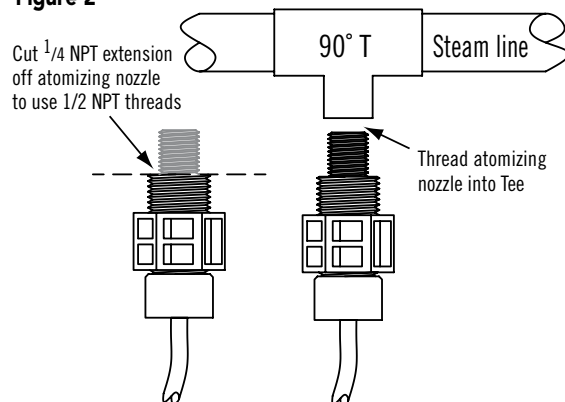
Installing the 90 degree T and Atomizing Nozzle

1. For optimal results locate a brass 90 degree T (not provided) and atomizing nozzle in the steam supply line within 10 feet of the steam head. If using copper tubing for steam lines, install a female 1/2 NPT or 1/4 NPT reducing Tee in the steam line facing downward.
2. T must face downward as shown (in figure 2).
3. If a 1/2 NPT tee is used, cut off the 1/4 NPT portion of the injector with a hacksaw.
4. Screw the atomizing nozzle into 90° T fitting using teflon tape on the threads.

IMPORTANT NOTE: Follow the installation instructions for the steam pipeline in the MrSteam Steam Bath Installation and Operation Manual.

Visit www.mrsteam.com to download this document.

Figure 2



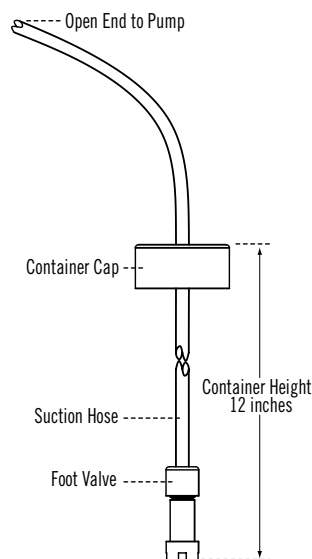
Installation of Pressure Hose to AromaFlo System

1. Insert the pressure hose through the hole of the pressure end nut and firmly push the pressure hose onto the pressure valve.
2. Screw the pressure end nut onto the pressure valve and tighten the nut by HAND only.

Installation of Suction Hose in Scent Container

1. Locate the "container cap" included with the bottle of oil.
2. Unscrew the cap from the MrSteam scent container and discard.
3. Insert the suction hose with the open end from below through the hole in the container cap (see Fig. 3).
4. Insert the foot valve into the scent container so that the foot valve rests on the bottom.
5. Screw the cap onto the scent container.

Figure 3



Installation of Suction Hose to AromaFlo System

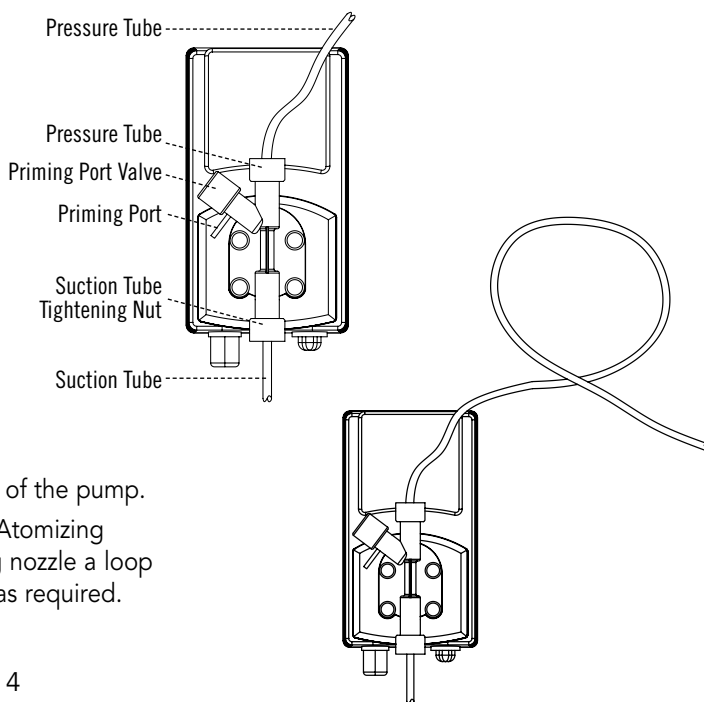
1. Unscrew the suction end nut from the pump head.
2. Assemble the tubing connection as shown in Figure 1 on page 3.
3. Screw the suction tube tightening nut to the suction side of the pump.

IMPORTANT NOTE: HAND-TIGHTEN ONLY.

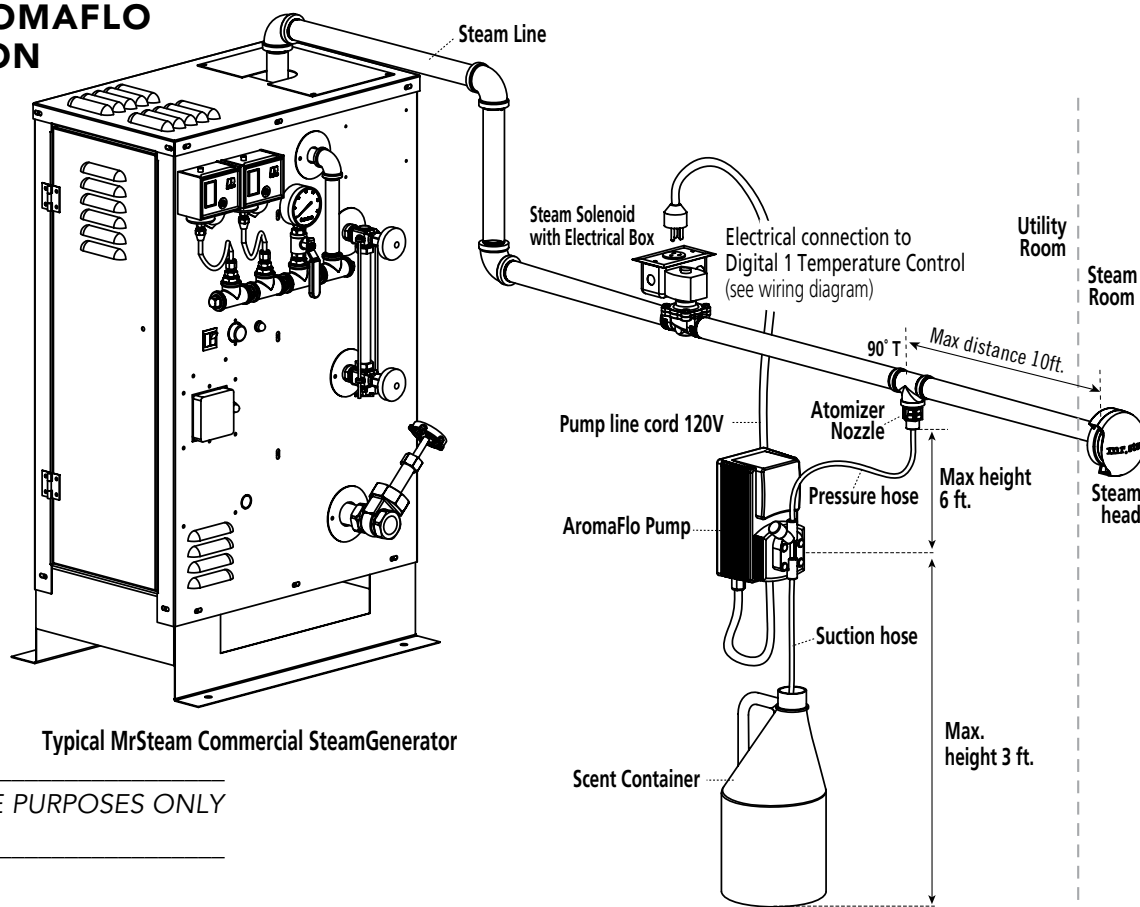
Pressure Hose

Repeat the suction hose installation steps on the pressure side of the pump. MrSteam recommends installing the AromaFlo lower than the Atomizing nozzle. If the pump must be installed higher than the atomizing nozzle a loop should be placed in the pressure tubing to prevent siphoning as required. An air bubble should be trapped at the top of the loop.

Figure 4



TYPICAL AROMAFLO INSTALLATION



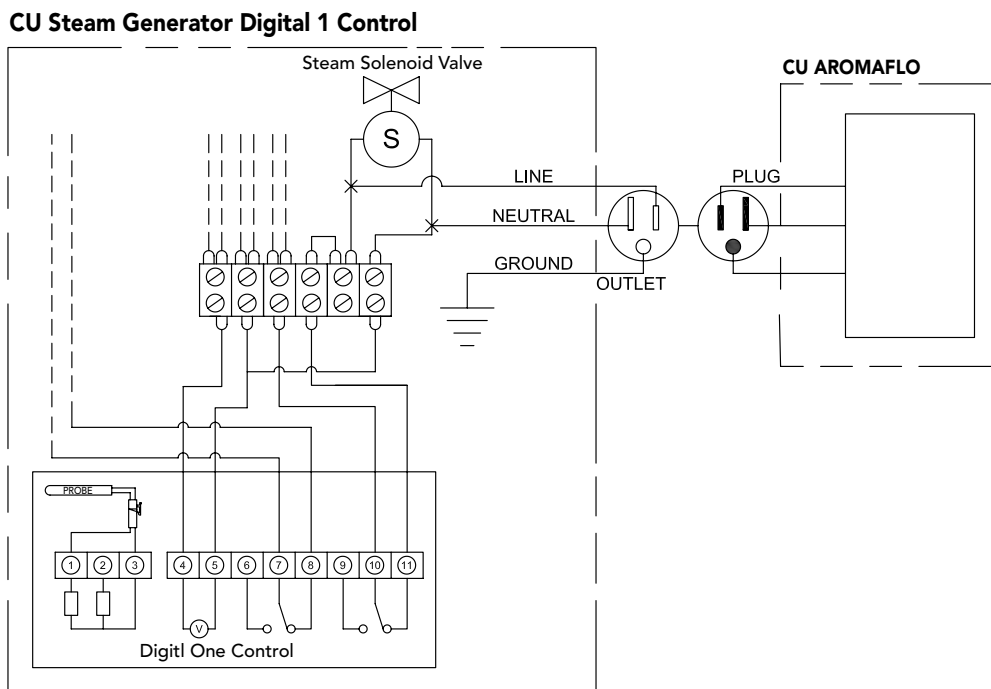
Typical MrSteam Commercial SteamGenerator

FOR ILLUSTRATIVE PURPOSES ONLY
(see full disclaimer)

ELECTRICAL CONNECTION OF METERING PUMP

CAUTION This metering pump is factory wired and operates on 120VAC 50/60Hz power supply. Refer to nameplate on AromaFlo pump. If the power cord of the metering pump is damaged it must be replaced by the Sussman-Automatic service department or similarly qualified personnel in order to avoid risks. All electrical connections to be made by a licensed, qualified electrician. Disconnect all power to the steam generator before making power connections.

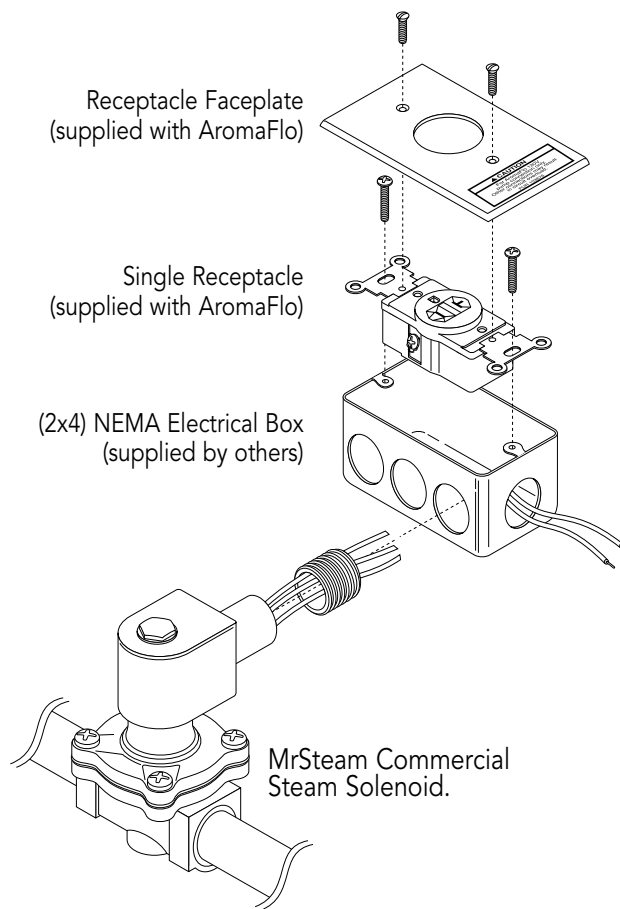
Digital 1 Control and CU-AromaFlo Wiring Schematic



ELECTRICAL BOX ASSEMBLY

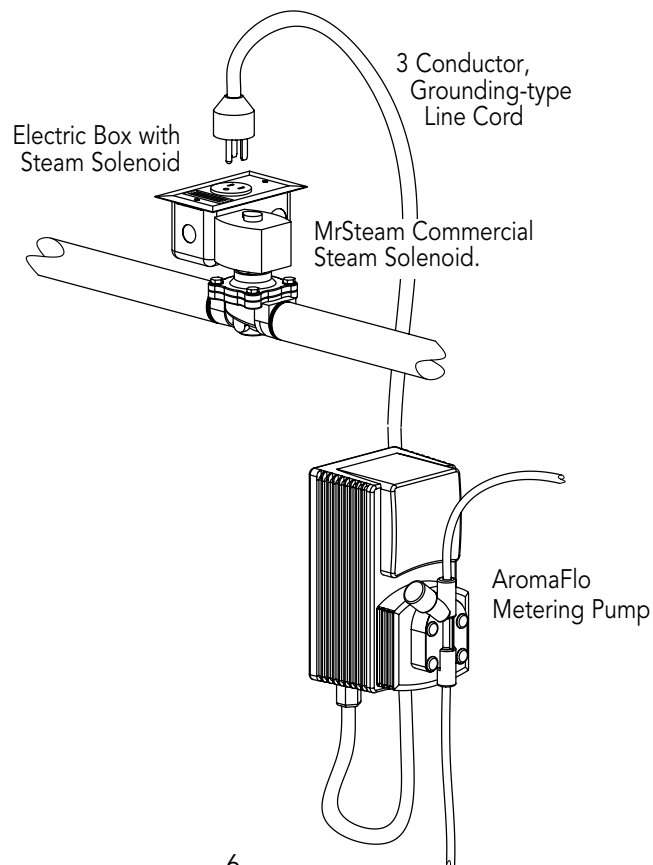
CAUTION To avoid possible electric shock, the AromaFlo pump must be suitably grounded according to National Electric and local Codes. Disconnect all power supplies before proceeding. Such wiring should be done by a licensed electrician.

NOTE: Refer to the wiring diagram on pg. 5 for all wiring connections



Fully Assembled

CAUTION The electrical outlet shown is for AromaFlo Pump connection only. Make no other connections to this outlet. Other connections may result in circuit overload.



START-UP

Initial Priming of the Pump

1. Insure MrSteam scent container is full.
2. Insert a short piece of soft injector hose onto the tip of the injector (see Fig. 5).
3. Insert the open end of the injector hose onto the pressure valve (see Fig. 5).
4. Open the priming valve by turning the knob counter clockwise 1 full revolution.
5. Draw liquid from the injector slowly and evenly. Continue until the injector is full of liquid.
6. If you have drawn up the injector completely and no liquid is in the injector, remove the injector hose from the pressure valve.
7. Drain injector. Repeat steps until the injector is filled.
8. Save the oil injector as it will be needed when new oils are used.
9. Close the priming valve completely by turning the knob clockwise.

CAUTION Failing to close the valve will result in oil leaking from the priming port.

Filling the Pressure Hose

1. Insure the AromaFlo System is primed and the scent container is full.
2. Insert the open end of the injector into the pressure hose.
3. Draw liquid from the injector slowly and evenly. Continue until the pressure hose is full of liquid.

OPERATION

Powering Up the Pump

IMPORTANT NOTE: This step only needs to be performed during installation.

1. The pump needs to be turned on before it can be used
2. Press and hold the power button for 2 seconds.
The LED will turn on solid green.

PUMP LED LIGHT:

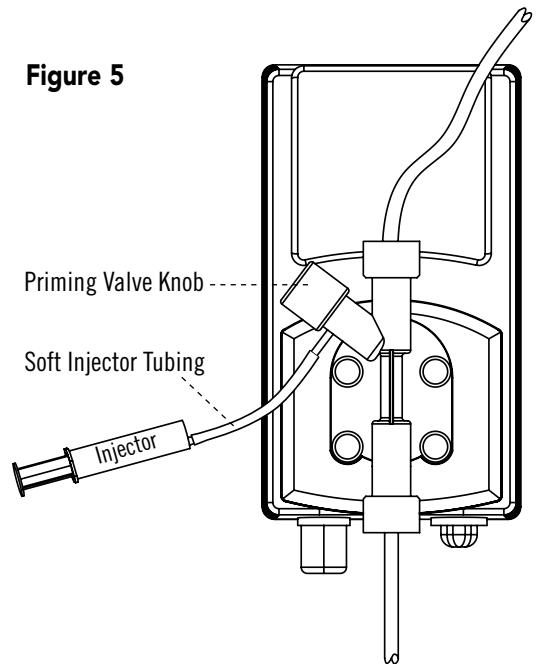
Green Blinking Pump is ON
No Light Pump is OFF

Adjusting the Amount of Oil Delivery

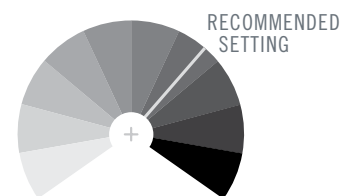
The AromaFlo system has been factory set to deliver a suitable amount of aromatic oil into a typical sized steam room. Please contact the MrSteam Technical Service Department before changing this setting.

Contact the MrSteam Technical Service Dept. at (800) 76-STEAM (East coast) or (800) 72-STEAM (West Coast) for assistance or additional information.

WARNING Increasing the settings may introduce excessive concentration of oil into the steam room, resulting in a health hazard.



AromaFlo Aromatic Setting Knob



TROUBLESHOOTING

⚠️ WARNING TO AVOID ELECTRIC SHOCK, DISCONNECT POWER TO PUMP BEFORE SERVICING

Metering pump does not prime

1. Check if voltage is available.
2. Check liquid level in scent container.
Replenish liquid, if necessary.
3. Check for air bubbles in the suction hose or the pump head. To eliminate air bubbles see: Priming Pump.
4. Check valves for contamination. Clean valves, if necessary.
5. Check foot valve in container for contamination.
Rinse foot valve under clean water.

Metering pump does not inject oil into steam room

1. Check if voltage is available.
2. Check liquid level in scent container.
Replenish liquid, if necessary.
3. Check for air bubbles in the suction hose or the pump head. To eliminate air bubbles see: Priming Pump.
4. Check valves for contamination. Clean valves, if necessary.
5. Check foot valve in container for contamination.
Rinse foot valve under clean water.
6. Check the pressure hose for kinking or jamming.
Straighten or replace.
7. Check if liquid is freely flowing through the atomizing nozzle when the metering pump is energized.
Apply compressed air through the atomizing nozzle.
Attach the compressed air at the point of connection of the pressure hose.
8. Ensure the pump has been powered up. See page 7.

Metering pump oil delivery too much or too little

⚠️ WARNING The AromaFlo system has been factory set to deliver a suitable amount of aromatic oil into a typical sized steam room.
Please contact the MrSteam Technical Service Department before changing this setting. See page 7 for instructions on adjusting the amount of oil delivery.

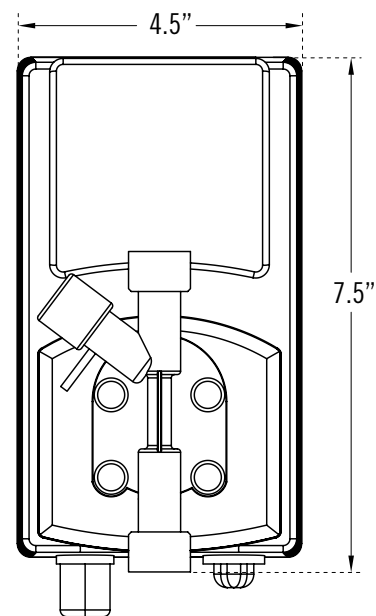
Contact the MrSteam Technical Service Dept. at (800) 76-STEAM (East coast) or (800) 72-STEAM (West Coast) for assistance or additional information.

TECHNICAL SPECIFICATIONS

List of Spare Parts

Description	Part No.
Pump Head	104239
Pressure/Suction Hose (ordered by the foot)	104255
Eucalyptus Oil, 1 gallon	CU-EUCALYPTUS
Lavender Oil, 1 gallon	CU-LAVENDER
Atomizing Nozzle	104240
Foot Valve	104241
Fitting (Fig. 1)	104250

Dimensions:	7.5"W x 4.5"H x 4.5"D
Weight:	5 pounds
Motor voltage	120 VAC, 50/60 Hz
Current Draw	0.5 Amps



WARRANTY: To view or download the MrSteam Warranty and register your product go to: blog.mrsteam.com/wr