

### Installation Instructions

### Model MS Wall Seat

#### ! WARNINGS

- THE MAXIMUM WEIGHT CAPACITY OF THE SHOWER SEAT IS 250 LBS. (113 kg) WHEN INSTALLED IN ACCORDANCE WITH THESE INSTRUCTIONS.
- Wall and header to be constructed as required to support a minimum of 250 lbs. (113 kg.)

#### ! CAUTIONS

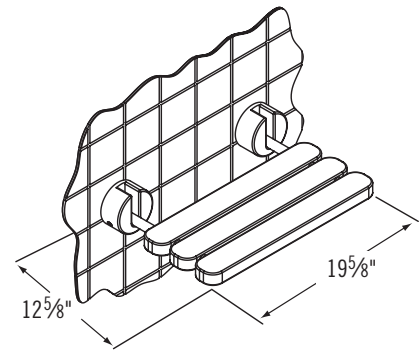
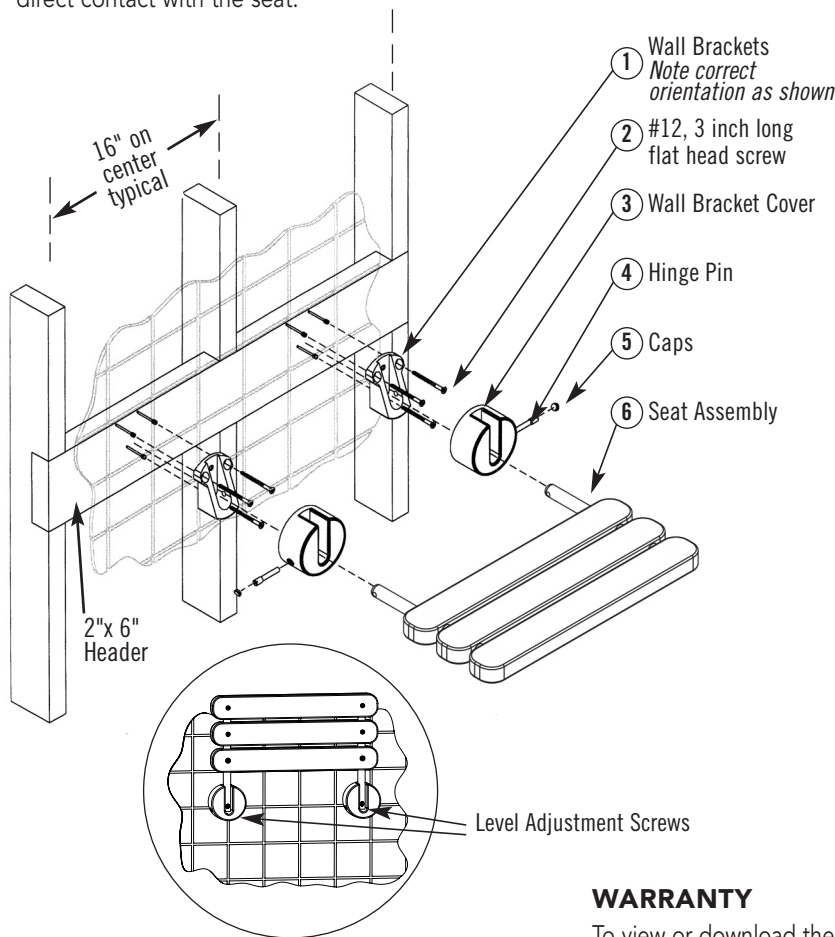
- Use only for sitting. Not to be used for other purposes.
- **DO NOT** install in a location where seated user and shower seat are close to direct steam emission.
- **DO NOT** install the shower seat on glass tile or any other materials prone to damage.
- Contact with teak may result in skin irritation or allergic reactions. If you are allergic to teak use a towel to prevent direct contact with the seat.

- Provide no smaller than a 2" x 6" header in the wall for mounting.
- Drill (6) 1/8 inch holes into the header a minimum of 1½ inches deep using the template provided. Drill a ¼ inch diameter hole through any tile or wall board for screw clearance. Brackets should be 17" to 20" above the floor.
- Fill the holes with silicone before securing the brackets to the wall.
- Secure wall brackets to the wall as shown in the diagram. Note correct orientation as shown. Insure a minimum of 1½ inches of the screws provided penetrate the header for strength.

- Place wall bracket covers over brackets and secure seat assembly in place with the hinge pins. After assembly is completed, fit caps into hinge pin holes. The seat should raise and lower with-out binding.
- Use a level to determine if the seat folds down flat. If required use the adjustment screws as shown to level the seat.

#### IMPORTANT:

- Use only mounting hardware provided in accordance with instructions.
- Test installation with a minimum 300 lb. (136 kg.) load prior to use.
- One person maximum capacity.
- Clean with mild soap and water. Do not use abrasive cleaning products.
- Discontinue use if any parts appear damaged, degraded or loose.



Completed Assembly  
Shown in seating position

#### BOX CONTENTS:

ITEM	QTY	DESCRIPTION
1	2	Wall Brackets
2	6	#12, 3 inch long flat head screws
3	2	Wall Bracket Covers
4	2	Hinge Pins
5	2	Caps
6	1	Seat Assembly
	1	Installation Manual
	1	Mounting Template
	1	Silicone Tube

#### WARRANTY

To view or download the Mr. Steam Accessories Warranty and register your product go to: [blog.mrsteam.com/wr](http://blog.mrsteam.com/wr)

