

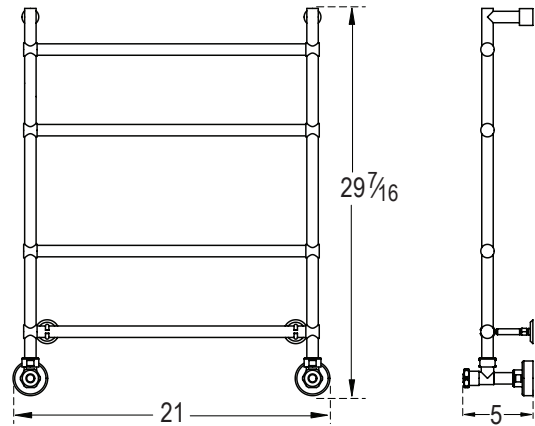
Fifth Avenue Collection® Hydronic Towel Warmers

Design Features:

- Highest quality 100% solid brass construction for efficient and superior heating
- Requires closed loop non-potable hot water system, not safe to use steam
- Operating water temperature must be below 158 degrees F and below 20 psig

Accessories Available:

- Optional Brackets: Additional towel warmer support brackets are available for installations where plumbing does not provide a rigid support to secure the towel warmer to the wall. (available in polished chrome or polished nickel)



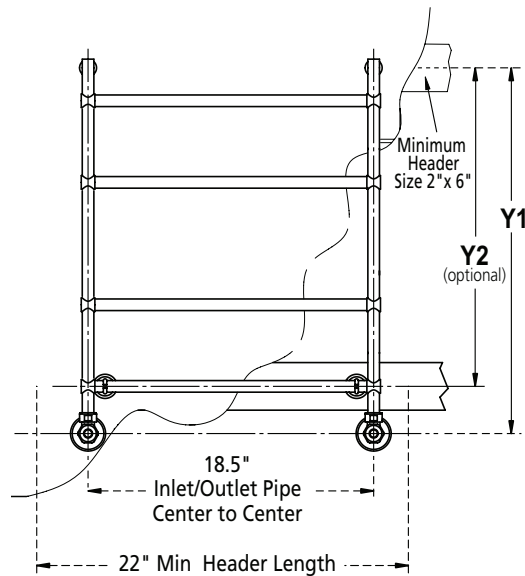
H542

MOUNTING DIMENSIONS (inches)

MODEL	Y1	Y2	BTU/hr*	Weight (lbs)**
H542	26 ⁷ / ₁₆	22 ⁷ / ₁₆	500	20

*at 158° F **without water

NOTE: Towel warmers have slight dimensional variations and must be measured prior to installation.



FOR ILLUSTRATIVE PURPOSES ONLY. IMPORTANT NOTE: FOR SAFE AND TROUBLE FREE INSTALLATION visit mrsteam.com or scan the QR code before installation to download the Installation, Operation and Maintenance Manual or refer to the manual provided with the unit.



MODEL	FINISH	PROJECT INFORMATION	
<input type="checkbox"/> H542	<input type="checkbox"/> Polished Chrome	Location:	Contractor:
	<input type="checkbox"/> Brushed Nickel	Architect:	Submitted By:
		Engineer:	Date:
Notes:			