

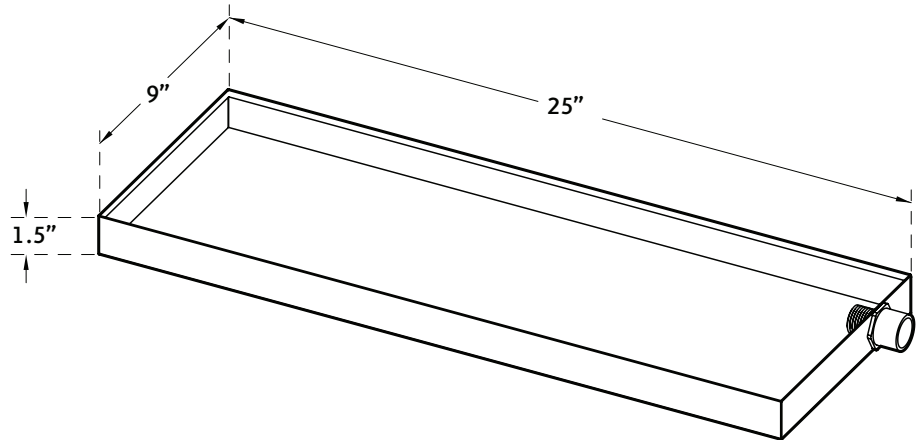
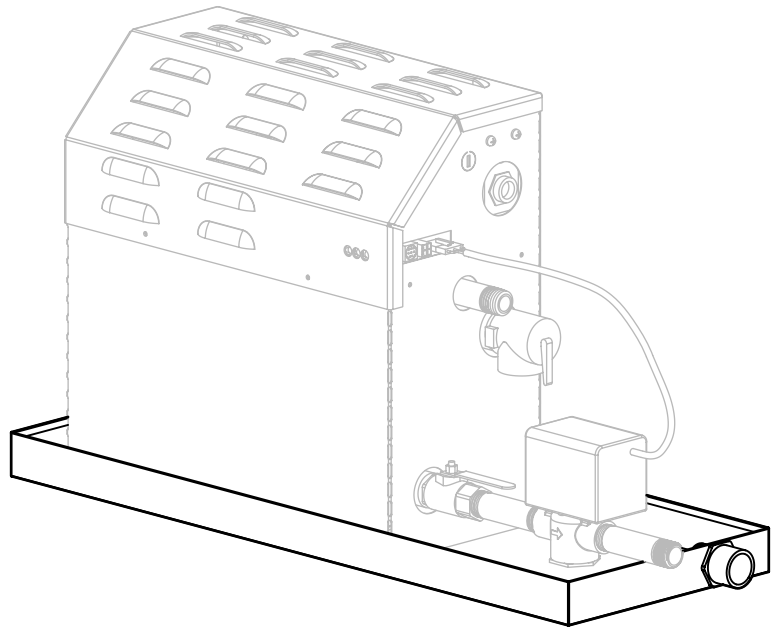
### Drip Pan MS 103867

Mr. Steam strongly recommends the use of a drain pan in the unlikely event of a plumbing leak.

Locate the drain pan on a solid level surface and place the steam generator inside the drain pan. Insure the steam generator is level.

All plumbing shall be performed by a qualified licensed plumber and in accordance with applicable national and local codes. Check local plumbing code for receptor, trap and vent requirements. Drain pans drain by gravity.

The drain pan is equipped with an integral 3/4" NPT fitting.



**NOTE: FOR ILLUSTRATIVE PURPOSES ONLY.**

**IMPORTANT: See the Mr. Steam Installation, Operation and Maintenance Manual, PUR 100472 for details.**

Click here to download this manual: <http://www.mrsteam.com/support/downloads.html>