

Valet Package®

For use with Broadway Collection Towel Warmers only

The Valet Package allows you to:

- Pre-program and preheat your towel warmer
- Enjoy an uplifting aromatherapy experience
- Wrap yourself in a warmed robe



BOX CONTENT

- Robe Hook
- Eucalyptus Essential Oil (*additional oils can be ordered*)
- Digital Timer with Cover Plate



FOR ILLUSTRATIVE PURPOSES ONLY. IMPORTANT NOTE: FOR SAFE AND TROUBLE FREE INSTALLATION visit mrsteam.com or scan the QR code before installation to download the Installation, Operation and Maintenance Manual or refer to the manual provided with the unit.



MODEL	FINISH	PROJECT INFORMATION	
WT Valet	<input type="checkbox"/> PC-Polished Chrome	Location:	Contractor:
	<input type="checkbox"/> WH-White	Architect:	Submitted By:
	<input type="checkbox"/> ORB-Oil Rubbed Bronze	Engineer:	Date:
Notes:			

Broadway Collection™ Accessories

Available for all Towel Warmers

- **ROBE HOOK**

Ideal for hanging and gently warming a robe.



- **SINGLE TOWEL RACK***

For storing or draping facial or small towel. Not heated. Extends 3" from towel warmer front.

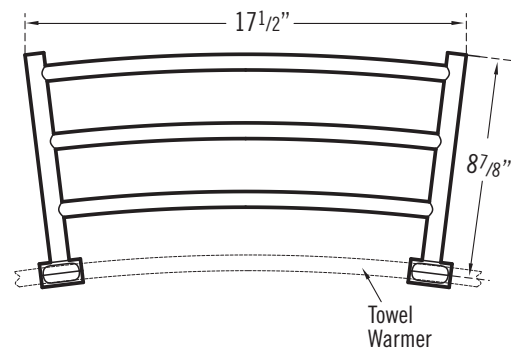
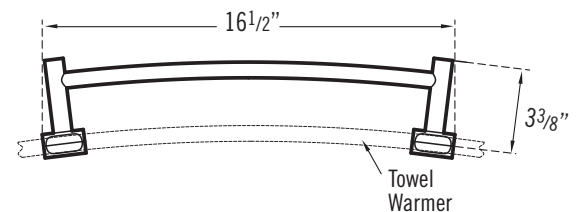
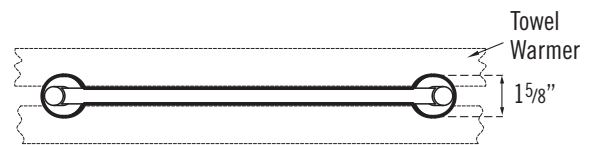
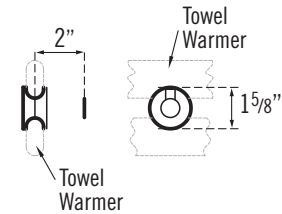


- **TRIPLE TOWEL RACK***

Perfect for storing bath towels. Not heated. Extends 8.5" from towel warmer front.



* Not for model W216



FOR ILLUSTRATIVE PURPOSES ONLY. IMPORTANT NOTE: FOR SAFE AND TROUBLE FREE INSTALLATION visit mrsteam.com or scan the QR code before installation to download the Installation, Operation and Maintenance Manual or refer to the manual provided with the unit.



MODEL	FINISH	PROJECT INFORMATION	
RHOOK	<input type="checkbox"/> PC-Polished Chrome	Location:	Contractor:
SBRACK-CU	<input type="checkbox"/> WH-White	Architect:	Submitted By:
TBRACK-CU	<input type="checkbox"/> ORB-Oil Rubbed Bronze	Engineer:	Date:
Notes:			

Digital Timer & Designer Finish Cover Plate

Available for all Towel Warmers

In-wall, 24-hour electronic timer for pre-start and automatic shut-off of the towel warmer at programmed times. White cover plate standard. Designer finishes available.

Note: Fits into a standard 4" x 2" junction box.



FOR ILLUSTRATIVE PURPOSES ONLY. IMPORTANT NOTE: FOR SAFE AND TROUBLE FREE INSTALLATION visit mrsteam.com or scan the QR code before installation to download the Installation, Operation and Maintenance Manual or refer to the manual provided with the unit.



MODEL	FINISH	PROJECT INFORMATION
103588DIG	<input type="checkbox"/> WH-White	Location:
103872D-PC	<input type="checkbox"/> Polished Chrome	Architect:
103872D-	<input type="checkbox"/> ORB-Oil Rubbed Bronze	Engineer:
	<input type="checkbox"/> SSP-Stainless Steel Polished	Contractor:
	<input type="checkbox"/> SBP-Stainless Steel Brushed	Submitted By:
	<input type="checkbox"/> PN-Polished Nickel	Date:
	<input type="checkbox"/> BN-Brushed Nickel	
Notes:		