



Installation, Operation & Maintenance Manual

AromaSteam

mr.steam® | Feel Good Inc.®

⚠️ WARNING RISK OF ELECTRIC SHOCK - This pump is supplied with a grounding conductor and grounding-type attachment plug. To reduce the risk of electric shock, be certain that it is connected only to a properly grounded, grounding-type receptacle.

⚠️ AVERTISSEMENT RISQUE DE CHOC ÉLECTRIQUE - Cette pompe est fournie avec un conducteur de mise à la terre et une fiche de branchement de type mise à la terre. Pour réduire le risque de choc électrique, assurez vous qu'il est connecté uniquement à une mise à la terre, à la terre prise.

⚠️ WARNING

- Do not use with water soluble fragrance or fragrance containing emulsifiers or aldehydes. AromaSteam system damage may result. MrSteam oils are approved for operation with this system.
- The use of any oils other than MrSteam oils may introduce excessive concentration of oil into the steam room, resulting in a health hazard.
- Vapors may cause drowsiness and dizziness. Keep out of the reach of children. In case of contact with eyes, rinse immediately with plenty of water and seek medical advice. If swallowed, rinse mouth with water (only if the person is conscious), seek medical advice immediately and show this container or label.
- Highly Flammable. Keep away from sources of ignition—No smoking. Keep container tightly closed & in a well-ventilated place. This material & its container must be disposed of as hazardous waste.
- Not for use in acrylic or fiberglass rooms.
- Material Safety Data Sheet (MSDS) available upon request

IMPORTANT NOTE: As you follow these instructions, you will notice warning and caution symbols. This blocked information is important for the safe and efficient installation and operation of this generator. These are types of potential hazards that may occur during installation and operation:

⚠️ WARNING states a hazard may cause serious injury or death if precautions are not followed.

⚠️ CAUTION signals a situation where minor injury or product damage may occur if you do not follow instructions.

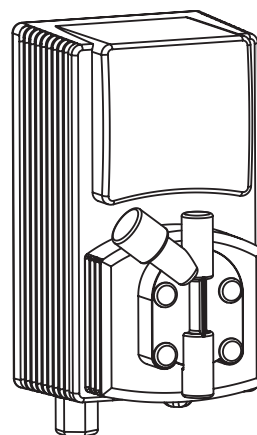
IMPORTANT NOTE: This highlights information that is especially relevant to a problem-free installation.

IMPORTANT NOTE: The warning label (supplied) shall be posted in a conspicuous location next to the steam room door.

MS Aroma

Table of Contents

Box Contents.....	3
General Installation	3
Installation of Hoses.....	4
Assembly Diagram.....	5
Electrical Wiring	6
Start-up	
Initial Priming	6
Filling the Pressure Hose	6
Operation	7
Adjusting amount of oil delivery.....	7
Troubleshooting.....	8
Technical Information.....	8



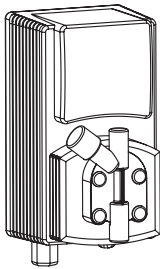
AromaSteam
(for illustrative purposes only)

⚠️ WARNING

This room is equipped with an aromatic oil dispensing system
Leave the room immediately if you have any adverse or allergic reactions, including difficulty breathing or eye, nasal, throat, or skin irritation and seek medical attention.

mr.steam® 43-20 34th Street, Long Island City NY 11101 1-800-76 STEAM www.mrsteam.com PUR100405 2/06

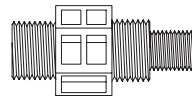
BOX CONTENTS



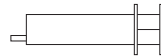
AromaSteam System
(with integrated 6 ft. power cord,
8 ft. request cable)



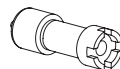
**8 ft.
Pressure
Hose**



**1/4 x 1/2 NPT
Atomizing Nozzle**



Injector



Foot Valve



Installation & Operation Manual
with Peel-off Warning Label

Additional Items Included but Not Shown:

- 2x Mounting Screws and Anchors
- Soft Tubing for priming with injector

GENERAL INSTALLATION

! WARNING Do Not alter or modify any MrSteam product. Doing so may result in an inoperable or hazardous installation and will void the warranty.

! CAUTION The AromaSteam system is qualified for use with MrSteam® residential and CT steam generators **ONLY**.

IMPORTANT NOTE: AromaSteam is for use with AirTempo®, iSteam® and iTempoPlus® controls only.

1. Locate the AromaSteam system to monitor the consumption of essential oils and for easy oil replacement.
2. The warning sticker provided must be placed in a conspicuous location near the steam room door.
3. MrSteam AromaSteam System is designed and intended for indoor use only and is to be located indoors in a dry clean location and not subject to moisture, condensation or similar high humidity environments.
4. Do not install AromaSteam Systems outdoors.
5. Do not install AromaSteam Systems in a location where water could freeze.
6. Do not install AromaSteam Systems near flammable or corrosive materials and chemicals. Installation in areas having high concentrations of chlorine (such as pool equipment room) should be avoided.
7. Attach the AromaSteam System onto a secure vertical surface.
8. Provide access to AromaSteam System for servicing, and refills.
9. The system should not be installed in areas accessible to children. A LOCKED ROOM IS STRONGLY RECOMMENDED (ie: utility room)
10. Height difference between AromaSteam System discharge and 90 degree T is to be held to a maximum 6 ft. (see page 5).
11. Do not exceed 30 feet of tubing between the pump head and atomizing nozzle.
12. Ensure the essential oil container is placed on a level surface.
13. Essential oil container must be installed directly below the pump. The maximum distance from the pump to the bottom of the container is 4 feet.

! WARNING

This room is equipped with an aromatic oil dispensing system

Leave the room immediately if you have any adverse or allergic reactions, including difficulty breathing or eye, nasal, throat, or skin irritation and seek medical attention.

mr.steam® 43-20 34th Street, Long Island City NY 11101 1-800-76 STEAM www.mrsteam.com PUR100405 2/06

Warning Sticker (Not actual size)

GENERAL INSTALLATION (cont.)

Clearance to Heat Sources

- Do not install the AromaSteam system directly below or above the MrSteam steam generator where it is subject to heat.
- Minimum distance between the AromaSteam system and a heat source (e.g. steam generator, heating system) is 1.5 ft. If this minimum distance of 1.5 ft cannot be maintained, install a radiation plate or heat insulation between the heat source and AromaSteam system.
- Ambient temperature at and around the AromaSteam system should not exceed 90° F.

Tubing Connections

1. Completely unscrew tightening nut from pump head (or fitting) and remove components
2. Assemble tubing components as shown in figure 1.

IMPORTANT NOTE: To prevent connection from coming undone, insert tubing holder completely into tubing until it reaches the bottom. Lubricate the ID of the tubing as required with soap to facilitate insertion.

CAUTION To prevent damage do not use tools to tighten the nut.

Installing the 90 degree T and Atomizing Nozzle

1. For optimal results locate a brass 90 degree **T** (not provided) and atomizing nozzle in the steam supply line within 10 feet of the steam head. If using copper tubing for steam lines, install a female 1/2 NPT or 1/4 NPT reducing Tee in the steam line facing downward.
2. **T** must face downward as shown (in figure 2).
3. If a 1/2 NPT tee is used, cut off the 1/4 NPT portion of the injector with a hacksaw.
4. Screw the atomizing nozzle into 90° **T** fitting using teflon tape on the threads.

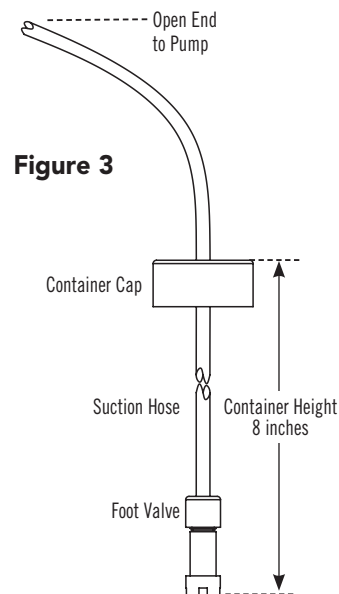
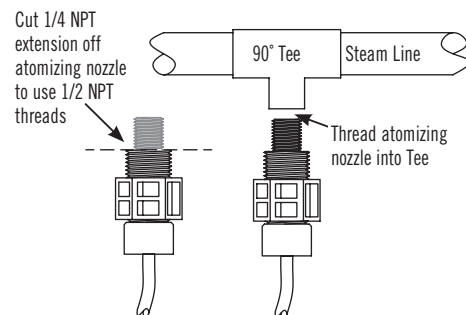
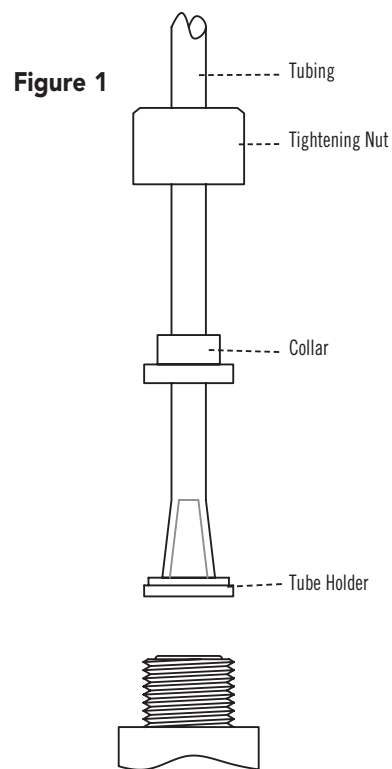
IMPORTANT NOTE: Follow the installation instructions for the steam pipeline in the MrSteam Steam Bath Installation and Operation Manual. Visit www.mrsteam.com to download this document.

Installation of Pressure Hose to AromaSteam System

1. Insert the pressure hose through the hole of the pressure end nut and firmly push the pressure hose onto the pressure valve.
2. Screw the pressure end nut onto the pressure valve and tighten the nut by HAND only.

Installation of Suction Hose in Scent Container

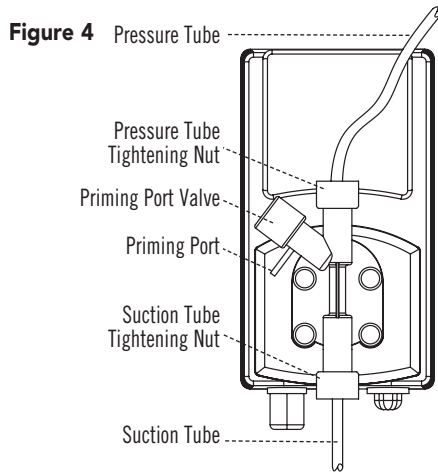
1. Locate the "container cap" included with the bottle of oil.
2. Unscrew the cap from the MrSteam scent container and discard.
3. Insert the suction hose with the open end from below through the hole in the container cap (see Fig. 3).
4. Insert the foot valve into the scent container so that the foot valve rests on the bottom.
5. Screw the cap onto the scent container.



Installation of Suction Hose to AromaSteam System

1. Unscrew the suction end nut from the pump head.
2. Assemble the tubing connection as shown in figure 1 on page 4.
3. Screw the suction tube tightening nut to the suction side of the pump

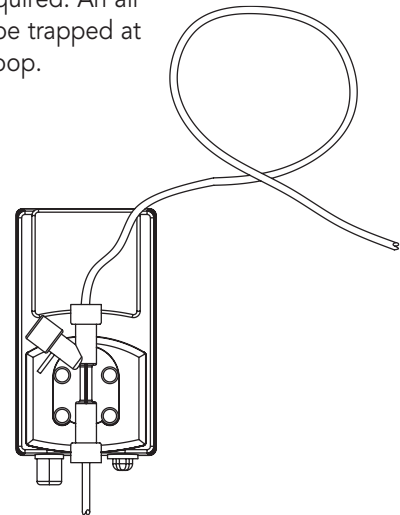
IMPORTANT NOTE: HAND-TIGHTEN ONLY.



Pressure Hose

Repeat the suction hose installation steps on the pressure side of the pump.

MrSteam recommends installing the AromaSteam lower than the Atomizing nozzle. If the pump must be installed higher than the atomizing nozzle a loop should be placed in the pressure tubing to prevent siphoning as required. An air bubble should be trapped at the top of the loop.

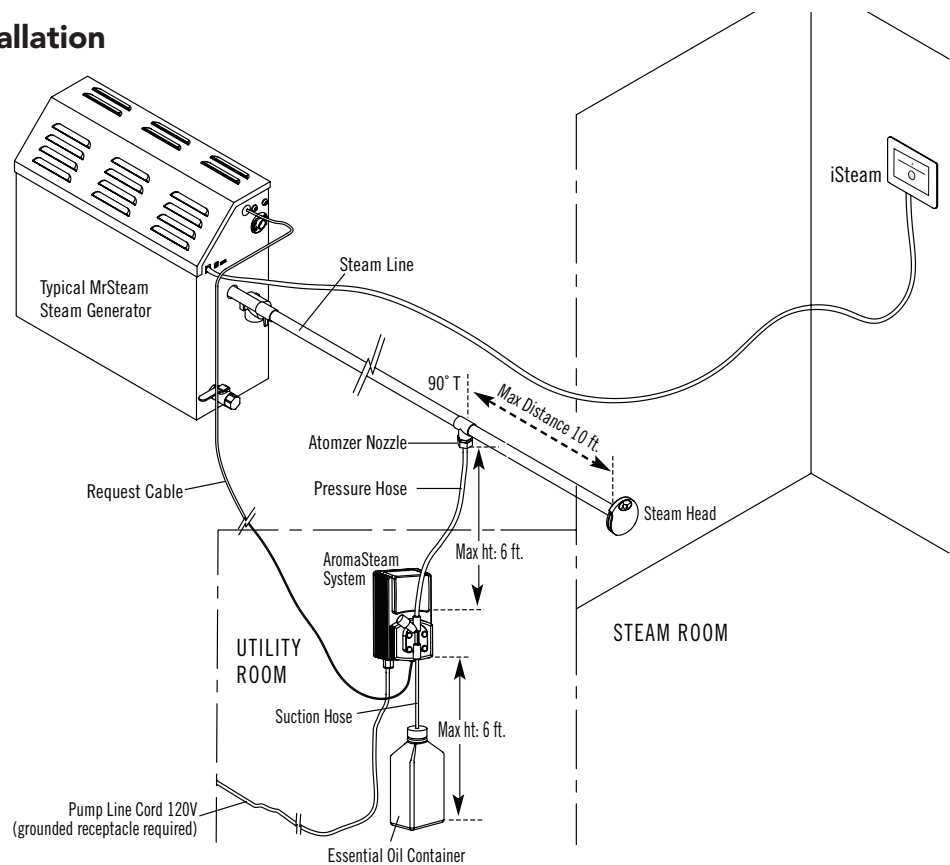


Typical AromaSteam Installation

FOR USE WITH AIRTEMPO®, iSTEAM® AND iTEMPO/PLUS® CONTROLS ONLY

Locate the AromaSteam system to monitor the consumption of essential oils and for easy oil replacement.

NOTE: CABLES SHOULD NOT CONTACT STEAM PIPE.



For illustrative Purposes Only

