

### CU Steam Stop Installation Instructions

**PACKAGE CONTENTS:**

- Steam Stop Button
- 30ft of Low Voltage Wire
- Installation Instructions

The CU-STEAMSTOP is a switch that can be used to turn off the steam solenoid(s). Multiple CU-STEAMSTOPs can be installed on one Mr. Steam CU steam generator. CU-STEAMSTOP buttons can be installed inside and/or outside the steam room.

The installation must conform to National and local electrical codes.

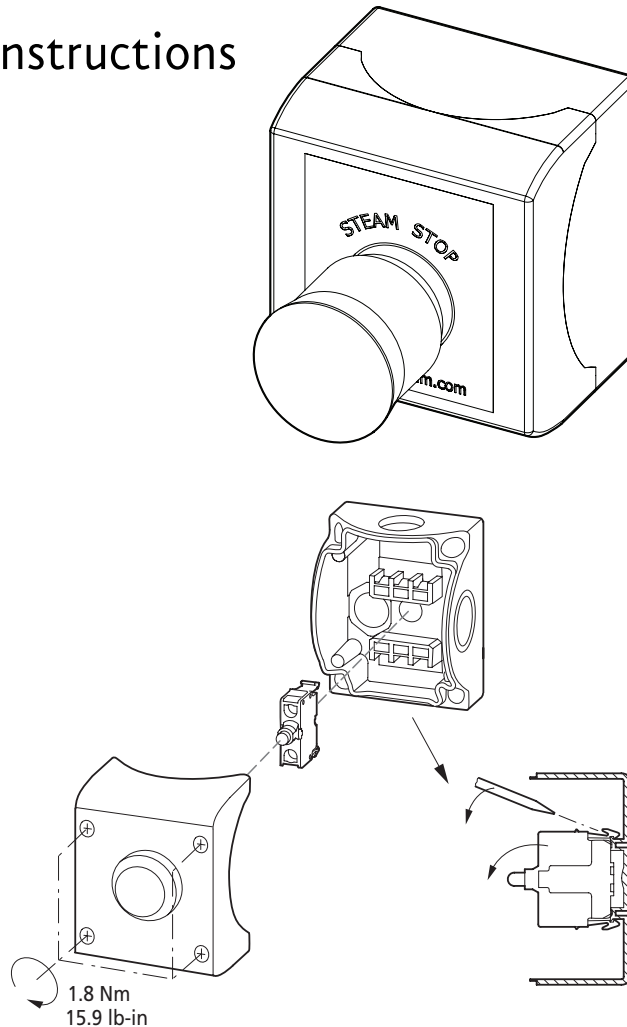
The CU-STEAMSTOP accepts 1/4 & 1/2 NPT; M16 & M20; and Pg 13.5 & Pg 16 conduit and fittings.

**LOCATING THE CU-STEAMSTOP**

The CU-STEAMSTOP shall be positioned for easy access by the attendant or user.

**INSTALLING THE CU-STEAMSTOP**

1. Remove the switch cover and use the 4 outer holes in the box to mark the mounting screw locations.
2. With the cover off, remove the internal switch mechanism as shown.
3. Select which conduit location in the box to use and carefully drill out the opening according to what conduit / fitting size you will use based on the chart to the right.
4. Replace the internal switch mechanism to the middle position in the CU-STEAM stop.
5. Securely fasten the CU-STEAMSTOP to the wall.



Hole Marking	Fitting	Drill Size
M16	1/4" NPT	35/64"
	M16	41/64"
M20 (Pg 13.5)	M20	51/64"
	Pg 13.5	53/64"
	1/2" NPT	27/32"
Pg 16	1/2" NPT	27/32"
	Pg 16	29/32"

**IMPORTANT NOTE:**

As you follow these instructions, you will notice warning and caution symbols. This blocked information is important for the safe and efficient installation and operation of this AromaFlo. These are two types of potential hazards that may occur during this installation and operation:



states a hazard which may cause serious injury or death if precautions are not followed.



signals a situation where minor injury or product damage may occur if you do not follow instructions.

**IMPORTANT NOTE:**

THIS HIGHLIGHTS INFORMATION THAT IS ESPECIALLY RELEVANT TO A PROBLEM-FREE INSTALLATION.

### Wiring the CU-STEAMSTOP

**! WARNING** Electric shock hazard. Disconnect all power supplies at the main disconnect switch before proceeding. All electrical wiring must be installed by a qualified, licensed electrician in accordance with National and local codes.

1. Route the cable provided (if more than 30 feet is needed, stranded 20 AWG wire may be spliced to the provided cable) through non-metallic conduit from the steam bath generator to the CU-STEAMSTOP switch.

**NOTE:** The end of the cable with the connector shall be located at the steam generator.

2. Connect the bare ends of the cable to the internal switch mechanism in the CU-STEAMSTOP.
- 3A. For CU Boilers Equipped with Digital 1 Controls: Connect the wire to the connector on the back of the Digital 1 control, as shown in the wiring Diagram A.
- 3B. For boiler equipped with F1 Plus controls: Splice the wire from the CU-STEAMSTOP into the each leg of the temperature probe leads on the back of the F1 Plus Control. Diagram B.
4. Additional CU-STEAMSTOPs shall be connected in parallel with the first button as shown in Diagram B.

### Operation of the CU-STEAMSTOP:

1. With the boiler on, pressing the CU-STEAMSTOP button will stop the flow of steam to the steam room

**NOTE:** When used with a Digital 1 Control, the Digital 1 internal alarm (or CU-ALARM if equipped) will sound if the CU-STEAMSTOP is pressed.

**! CAUTION** Steam will flow from the steamhead as soon as the CU-STEAMSTOP is reset.

2. To reset the CU-STEAMSTOP twist the red plunger in the direction of the arrows shown on it, the plunger will pop up and the steam flow will be restored.

