

INSTALLATION AND OPERATING INSTRUCTIONS

The CU/MS light is a wet location listed fixture that is suitable for wall or ceiling mounting.

! WARNING Installation to be performed by a qualified and licensed electrician.

The CU/MS light operates on 120 volts

IMPORTANT NOTE: Install CU/MS Light in accordance with National and local electrical codes.

IMPORTANT NOTE: A wall switch should be used to turn the light on and off. The CU/MS light will not work if used with a dimmer switch.

! WARNING DO NOT install the wall switch in the steam room. The switch must be installed in a location and manner described in the NEC and local electric codes.

! WARNING Ensure that the power is not supplied to the field wiring during installation, turn off power at breaker panel, or remove fuse at fuse box.

1. Determine the placement of the fixture. The fixture will be mounted on a recessed round or octagon junction box.
2. Securely mount the recessed junction box.

! WARNING Do not install the CU/MS light within 2 feet of the steam head or in direct contact with continuous water spray. Do not install the light where it could become submerged.

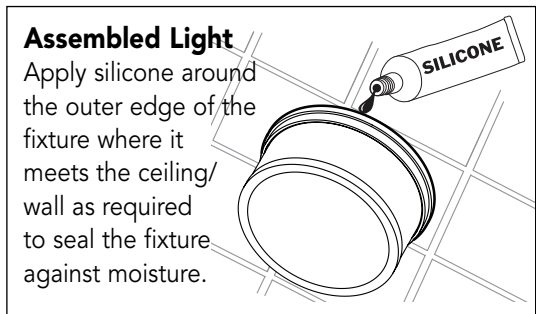
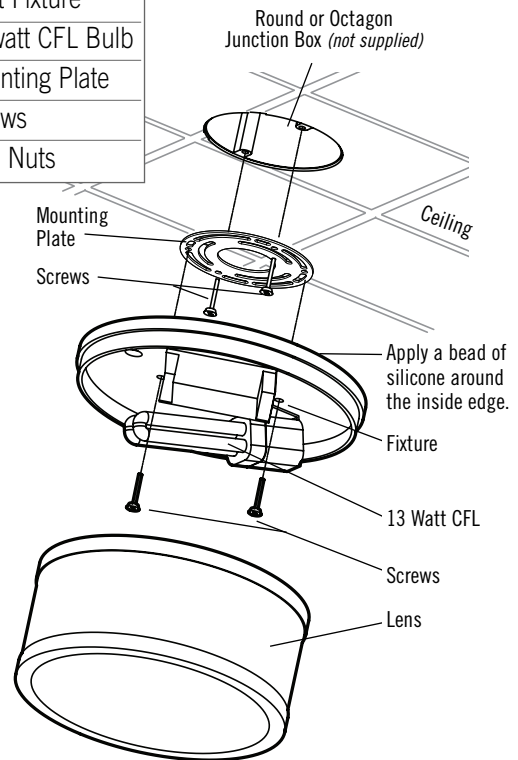
3. Provide electrical service (120 VAC) to the junction box.
4. Secure the mounting plate to the junction box using the hardware provided, as shown.
5. Connect the supply wires from the junction box to the CU/MS Light by connecting the black wire to black wire, white wire to white wire using the wire nuts provided. Connect the bare copper ground wire to the supply's ground wire using the wire nuts provided.

IMPORTANT NOTE: In older buildings it is always good practice to reconfirm the polarity of the wiring.

6. Using the screws provided, secure the fixture (with the lens removed) to the mounting plate attached to the junction box. Do not over tighten the screws.
7. Apply a bead of silicone around the outer edge of the fixture where it meets the ceiling/wall.
8. Install the CFL bulb.
9. Gently thread the lens into the fixture, ensuring it is fully seated and secure.
10. Restore power to the fixture at the circuit breaker or fuse box.

BOX CONTENTS:

- | | |
|---|------------------|
| 1 | Light Fixture |
| 1 | 13 watt CFL Bulb |
| 1 | Mounting Plate |
| 4 | Screws |
| 3 | Wire Nuts |



CARE TIPS: Use only mild soap and water on a soft cloth to clean the exterior of the CU/MS Light. Do not use abrasive cleansers.

SPARE PARTS	PN
13 Watt CFL Bulb	104073

All drawings are for illustrative purposes only

IMPORTANT NOTE: As you follow these instructions, you will notice warning and caution symbols. This information is important for the safe and efficient installation and operation of this generator. These are types of potential hazards that may occur during this installation and operation:

! WARNING states a hazard which may cause serious injury or death if precautions are not followed.

! CAUTION signals a situation where minor injury or product damage may occur if you do not follow instructions.