

INSTALLATION AND OPERATION INSTRUCTIONS

TABLE OF CONTENTS

- Safety & Operating Information1
- iGenie™ Module Installation.....2
- iGenie Operation2
- iGenie Module Operation.....3
- Pairing3
- Battery Replacement3
- Installing the iGenie Wall Mount4
- Troubleshooting.....4
- List of Replacement Parts4

BOX CONTENT

- iGenie™
- iGenie Wall Mount
- Interface Module
- 5 ft. Module Connection Cable
- 2 Module mounting Screws
- Installation and Operation Instructions

IMPORTANT NOTE:

As you follow these instructions, you will notice warning and caution symbols. This blocked information is important for the safe and efficient installation and operation of this iGenie. These are two types of potential hazards that may occur during this installation and operation:

WARNING

states a hazard which may cause serious injury or death if precautions are not followed.

CAUTION

signals a situation where minor injury or product damage may occur if you do not follow instructions.

IMPORTANT NOTE:

this highlights information that is especially relevant to a problem-free installation.

SAFETY AND OPERATING INFORMATION

WARNING

- Set the steambathing temperature according to personal preference, however it is highly recommended to begin steambathing at a low temperature setting to gauge comfort and safety levels. Set the duration at 10 minutes max. To gauge comfort and safety levels. This will allow the steam generator to heat up and begin producing steam.
- Do not install or use any iTempo/Plus®, iTempo®, iSteam® or iGenie™ controls without reading and understanding the Mr.Steam steam generator Installation and Operation Manual (part number 101289 Revision number 10.0/08 or higher). Failure to read and understand these instructions may result in an inoperative or hazardous installation.
- A peel and stick warning is provided with the Mr.Steam steam generator Installation and Operation Manual. Mr.Steam strongly recommends that this warning be read and posted in a conspicuous location near the steam room.
- An iGenie used in close proximity to multiple steam generators may result in unintended operation of more than one generator. The range of an iGenie control may vary depending on various conditions including construction materials. To insure against unintended operation each iGenie must be paired with a unique address. Please follow instructions on pairing in this manual. The iGenie can be paired using one of eight unique addresses. Failure to use the iGenie according to these instructions may result in property damage or hazardous conditions.

CAUTION

- Ensure the steam room door is closed when using a iGenie. Leaving the steam room door open during steam generator operation may result in property damage.
- Do not route any iTempo/Plus, iTempo, iSteam or iGenie control wiring inside conduit with power lines or close to hot water or steam piping. Doing so may result in an inoperative or hazardous installation.
- Do not alter or modify any iTempo/Plus, iTempo, iSteam or iGenie controls. Doing so may result in an inoperative or hazardous installation.

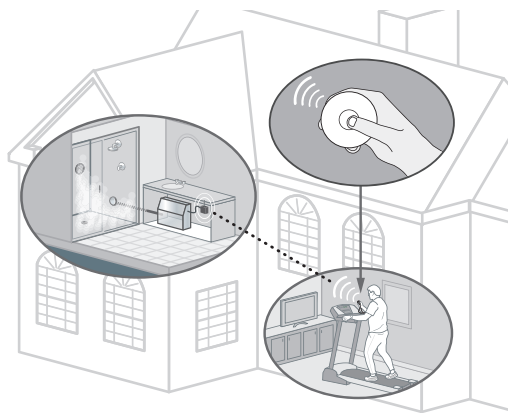
IMPORTANT NOTE:

- Do not operate any iTempo/Plus, iTempo, iSteam or iGenie control with anything other than a Mr.Steam iTempo compatible steam generator. Mr.Steam residential steam generators with serial numbers lower than 900,000 or any other brand of steam generator are not to be operated with iTempo controls. Doing so may result in an inoperative installation.
- This document contains important safety, operation and maintenance information. Leave this document with the homeowner. Do not discard this document.
- Discontinue use of the steam generator or control if the steam generator is damaged or otherwise not functioning properly.

INSTALLATION & OPERATION MANUAL

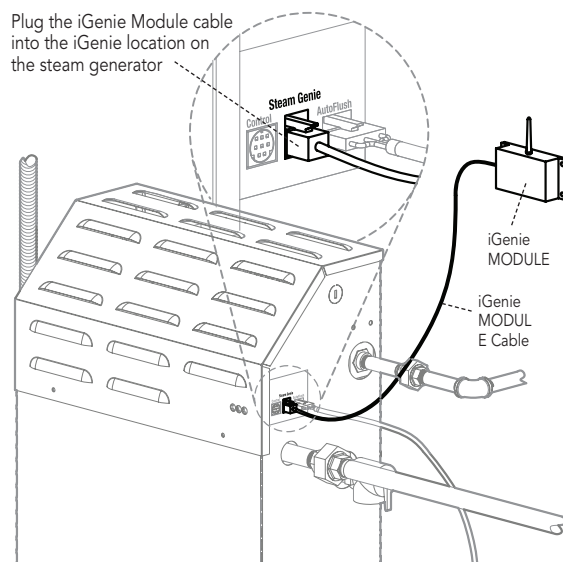
iGENIE OPERATION

The iGenie is an optional way to turn the steambath on and off from almost anywhere in the house. The iGenie includes two parts - a battery powered handheld FOB and a module that plugs into the steam generator. The FOB communicates wirelessly with the module.



GENIE™ MODULE INSTALLATION

- Connect the iGenie Module to the generator by plugging in the provided 5 foot cable to the iGenie Module and the iGenie connector on the side of the generator as shown.
- Mount the iGenie Module in a dry, indoor location. For maximum range, the iGenie Module should be mounted as high as practical and away from metal that could effect the radio signal. Securing it to a nearby wood stud is ideal. The antenna should be pointing upwards.
- With the generator powered, the red light (steam off) or green light (steam on) should come on when plugged in. Press the toggle steam button to confirm proper connection.
- Press the ON/OFF button and confirm that the iGenie lights match the state of the steam generator. Red for Steam Off (control is off) and green for Steam On (control is on).
- The yellow RF activity light on the iGenie Module should flash each time the button on the iGenie FOB is pressed.
- Test the range of the iGenie FOB. It may be necessary to change the location of the iGenie Module to improve the range. Contact Mr.Steam technical service for an optional 60 foot cable, part number 103978-60.

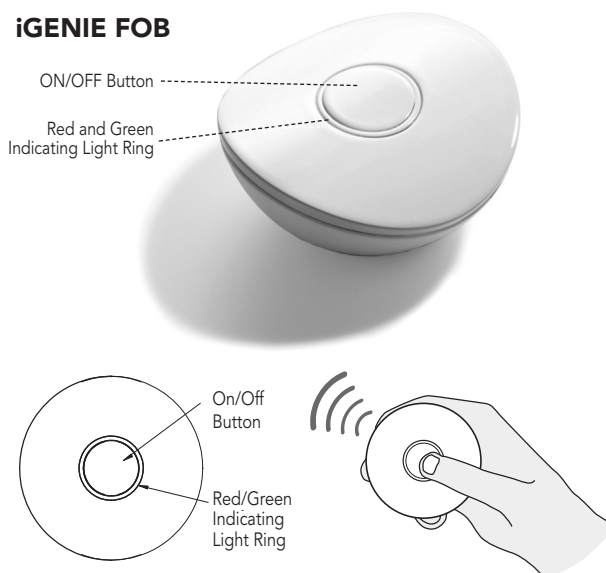


NOTE: For illustrative purposes only.
The iTempo control cable is not shown for clarity. An iTempo, iTempo/Plus or iSteam control must be used in conjunction with the iGenie.

iGENIE™ FOB OPERATION:

- When the iGenie FOB light is off, press the iGenie FOB button once and the iGenie FOB light indicates if the steam is on or off. When you press the button, the light will momentarily twinkle between red and green. A red light indicates that the steam is off and a green light indicates that the steam is on. If you are out of range, the lights will twinkle for about 5 seconds and then shut off.
- To turn the steam on or off, press the ON/OFF button again while the light is illuminated. After a short delay the light will change from red to green (steam on) or green to red (steam off).
- The light will stay illuminated for 10 seconds and then shut off.
- A blinking red light indicates that an error condition exists in the steam generator. An error code will be displayed on your iTempo, iTempo/Plus or iSteam control. Contact the Mr.Steam Technical Service Department at 800-76-STEAM (East coast) or 800-72-STEAM (West coast) for assistance or additional information.

iGENIE FOB

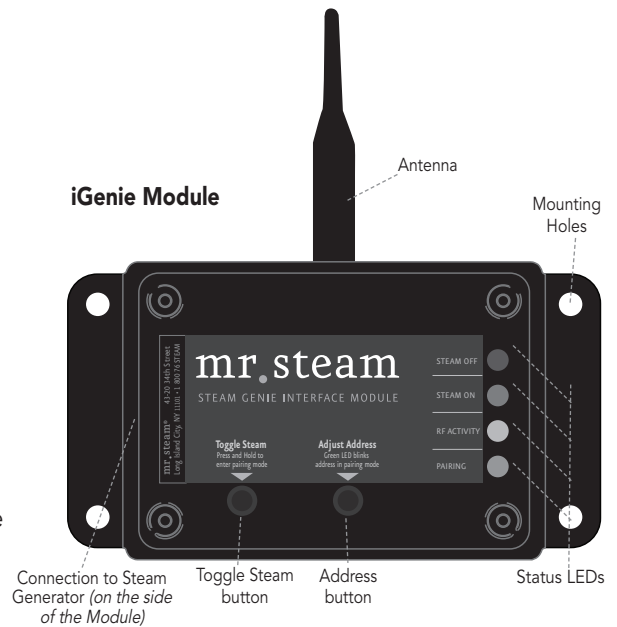


CAUTION The iGenie FOB may be used in the steam room. Do not submerge the iGenie FOB in water. Doing so may result in an inoperative or hazardous installation.

INSTALLATION & OPERATION MANUAL

iGENIE™ MODULE:

- The iGenie module is connected to and mounted near your steam generator and normally does not require any attention.
- The 4 lights on the iGenie Module indicate the status of the steam generator that it is connected to. At least one light will be on to show you that the iGenie Module is operating.
- If the red light is on, the steam cycle is off. If the green light is on, the steam cycle is on.
- If the red light is blinking there is an error condition in the steam generator. An error code will be displayed on your iTempo, iTempo/Plus or iSteam control. Contact the Mr.Steam Technical Service Department at 800-76-STEAM (East coast) or 800-72-STEAM (West coast) for assistance or additional information.
- The yellow light flashes to indicate when the ON/OFF button on the iGenie FOB is pressed.
- The blue light is on to indicate that you are in pairing mode.
- While in pairing mode, the green light will continuously flash the iGenie Module address (1-8).
- You can turn the generator on and off by pressing either button on the iGenie Module (while not in pairing mode).



PAIRING

- The iGenie FOB and iGenie Module come paired from the factory with address 1. The iGenie FOB and iGenie Module can be set to one of eight different addresses.
- Pairing is required if you have more than one steam generator in your home or if you experience interference from a neighbor's steam generator.
- You can determine the pairing of an iGenie FOB and iGenie Module by pressing and holding the ON/OFF button for 2 seconds. If you are within range of the iGenie Module, the green light will flash from 1 to 8 times depending on the address. To change the address of the iGenie Module, you must enter pairing mode.
- To enter pairing mode, press and hold the Toggle-Steam button on the iGenie Module for 2 seconds until the blue

- indicator light comes on. The green indicator light will start flashing the current address every 4 seconds. Count from 1 to 8 flashes. To change the iGenie Module address press the Adjust- Address button. Observe that the flash increments from 1 to 8 and then back to 1 each time you press it.
- To change the address of the iGenie FOB, to match the address of the iGenie Module, press and hold the ON/OFF button while the iGenie Module is in pairing mode. You will see the new flash count on the iGenie FOB.
- To exit pairing mode, press the Toggle-Steam button on the iGenie Module and observe that the blue light turns off. Pairing mode will automatically exit after 60 seconds.

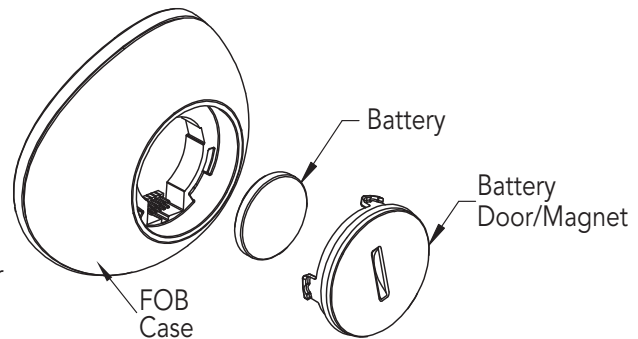
NOTE: The iGenie FOB and iGenie Module address are maintained even when power is removed.

iGENIE BATTERY REPLACEMENT:

Your iGenie is equipped with a factory installed battery. A replacement disk battery #CR2032 is available at most stores.

TO REPLACE THE BATTERY:

1. Using a flathead screwdriver or coin, turn the battery door ¼ clockwise.
2. Remove the battery door.
3. Slide out the old battery.
4. Slide in a new battery making sure that the + side is facing outwards (away from the circuit board).
5. Replace the battery door and using a flathead screwdriver or coin turn it ¼ counterclockwise to close it.
6. Test the iGenie



NOTE: The iGenie FOB will remember its address when the battery is removed

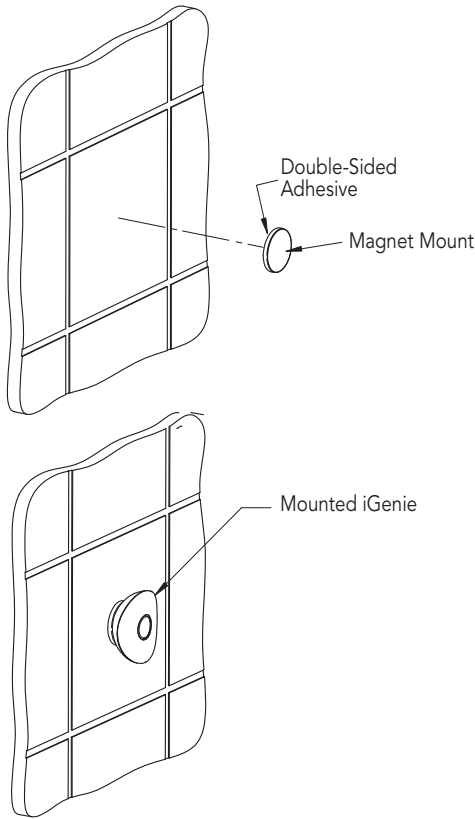
CAUTION The battery and battery door are small pieces, keep out of reach of children.

INSTALLATION & OPERATION MANUAL

INSTALLING THE iGENIE™ WALL MOUNT

A wall mounting magnet is provided with the iGenie Control as an optional convenience.

Secure the magnet mount to a wall so the iGenie is oriented as shown. Use the double sided adhesive to secure the magnet mount to the wall as shown and simply place the iGenie FOB onto the magnet mount with the battery door facing the wall to mount it.



LIST OF REPLACEMENT PARTS

DESCRIPTION	PART NUMBER
iGenie FOB	104129
iGenie Module	104059
5 foot Cable	104060

This device complies with Industry Canada license-exempt RSS standard(s). Operation is Subject to the following two conditions: (1) this device may not cause interference, and (2) this device must accept any interference, including interference that may cause undesired operation of the device.

TROUBLESHOOTING

NOTE: The iGenie FOB will not operate the generator without an iTempo, iTempo/Plus or iSteam control

I cannot control my steam generator with my iGenie:

Is the light twinkling on the iGenie FOB when the button is pressed?

If not, replace the batteries in the iGenie FOB.

If the light still does not twinkle, contact technical service.

Are you within range of the IGENIE MODULE?

Go closer to the steam generator and see if that works. If the range has diminished then the iGenie FOB battery may be getting weak.

Go to the iGenie Module.

Are any of the iGenie Module indicator lights on?

If not check the connection to the steam generator. Unplug and re-plug the iGenie Module from the steam generator. Verify the steam generator is receiving the correct voltage.

Press the TOGGLE STEAM button on the IGENIE MODULE and verify that it can control the steam generator. If no lights are on or you cannot manually control the steam generator, contact technical service.

Press the ON/OFF button on the iGenie FOB. While the iGenie FOB is twinkling, do you see the yellow RF activity light flashing on the IGENIE MODULE?

If yes, then the address of the iGenie FOB and the IGENIE MODULE may not match. Enter pairing mode by pressing the TOGGLE STEAM button on the iGenie Module until the blue light comes on. While the blue light on the iGenie Module is on, press and hold the ON/OFF button for 2 second until the LED flashes.

Exit pairing mode and test the iGenie FOB.



WARRANTY: To view or download the Mr. Steam Controls & Accessories Warranty and register your product go to: blog.mrsteam.com/wr

FCC ID: KSK-104058

FCC ID: KSK-104059

IC ID: 9321A-104058

IC ID:9321A-104059

Mr.Steam: Steam Genie

This equipment has been tested and found to comply with the limits for a Class B digital device, pursuant to Part 15 of FCC Rules. These limits are designed to provide reasonable protection against harmful interference in a residential installation.

Operation is subject to the following two conditions: 1) This device may not cause harmful interface, and 2) This device must accept any interface received, including interface that may cause undesired operation.

Changes or modifications not expressly approved by the party responsible for compliance could void the user's authority to operate the equipment.