

---

Model

---

Serial No.

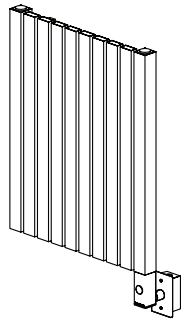


Installation, Operation and Maintenance Manual

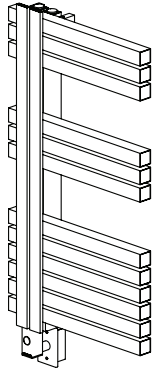
# Lexington Collection

ELECTRIC TOWEL WARMERS

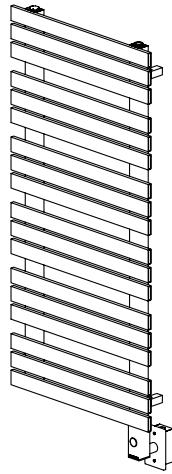
mr.steam<sup>®</sup> | Feel Good Inc.<sup>®</sup>



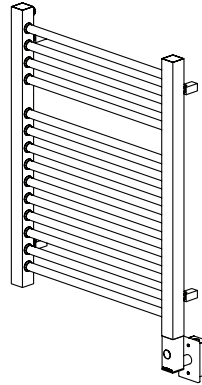
WX24



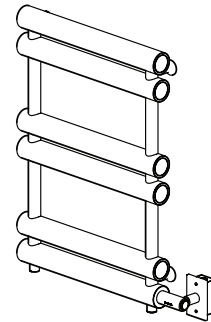
WX36



WX41



WX29



WX27

**IMPORTANT NOTE:** As you follow these instructions, you will notice warning, caution and notice symbols. This blocked information is important for the safe and efficient installation and operation of this Towel Warmer. These are types of potential hazards that may occur during this installation and operation:

**WARNING** Indicates a hazardous situation which, if not avoided, could result in death or serious injury.

**CAUTION** Indicates a hazardous situation which, if not avoided, could result in minor or moderate injury.

**NOTICE** is used to address practices not related to physical injury.

### CUSTOMER and TECH SUPPORT

Web: Visit [mrsteam.com](http://mrsteam.com) for additional information including product specifications, locating a dealer, sizing calculator technical downloads and other resources.

Call: Monday - Friday: 8 a.m. to 7 p.m. EST  
 East Coast 1.800.767.Steam (767-8326)  
 West Coast 1.800.727.Steam (727-8326)  
 Worldwide 1.718.937.4500

Email: [hello@mrsteam.com](mailto:hello@mrsteam.com)

### Table of Contents

Homeowner Information ..... 3-4

Installer Information..... 5-10

Specification Table ..... 5

Locating the Towel Warmer ..... 5

Wall Preparation ..... 6

Mounting Dimensions ..... 7

Wall Mounting ..... 8

Electrical Connections..... 9-10

Digital Programmable Timer ..... 9

Wiring Diagram ..... 10

**HOMEOWNER INFORMATION:**

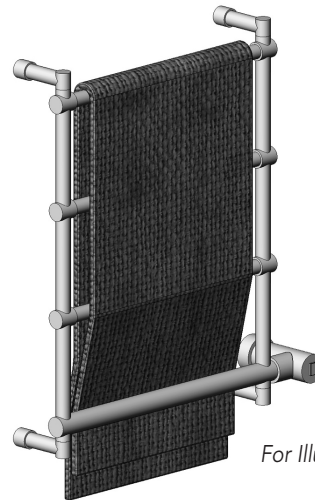
Thank you for selecting a MrSteam Towel Warmer, the perfect addition to bathrooms, spas, and exercise rooms within your home. Our products have long been a standard for quality and comfort. Experience continued enjoyment from the Towel Warmer by following these instructions.

**NOTICE**

- The Towel Warmer warm-up time varies depending on the Towel Warmer model, towels, ambient temperature ...etc. Towel warmers are designed to warm towels and heat resistant garments. They are also designed to dry damp towels and heat resistant garments. Towel Warmers are not designed to dry wet towels or garments. The temperature of the Towel Warmer may vary during operation. Towel Warmers may add warmth to a small bathroom, however they are not designed to provide supplemental room heating.
- A programmable timer is included with the Towel Warmer. The timer allows you to preset the Towel Warmer to turn ON and OFF at predetermined times. We recommend setting the timer to turn the Towel Warmer on about 45 minutes before the towel will be used. If the programmable timer is not used then the Towel Warmer must be turned ON and OFF by a wall switch. An indicator light on the wiring box illuminates when the Towel Warmer in ON. Review the location of the switch or timer with your installer.
- This Towel Warmer is intended for towels rinsed in water. Fabrics that contain soap or detergent residue may show what appears to be scorch marks. However this is simply the discoloration of the residue. The Towel Warmer unit does not reach sufficient temperature to scorch most fabrics. We are not responsible for discoloring or damage of any fabrics. As a precaution we recommend placing a towel directly onto the Towel Warmer and placing fabric on the towel.
- Do not use in ambient temperatures below 30°F. If the liquid in the Towel Warmer freezes, it will malfunction and damage to the Towel Warmer may occur. Do not use in ambient temperatures above 90°F.

**NOTICE**

- The finish of your MrSteam Towel Warmer can be protected and maintained by allowing the Towel Warmer to cool to room temperature and occasional wiping with a dampened cloth and lightly polished with a soft dry cloth. Under no circumstances should abrasive cleaning powders or metal polish be used on any Towel Warmer.
- Keep this manual for continued reference. Do not discard.



This image shows the recommended method of draping a towel on a towel warmer. While Towel Warmer designs vary, ensure that as much as possible of the towel is touching the Towel Warmer to ensure efficient and even warming of the towel.

*For Illustrative Purposes Only*

- Do not hang anything on the Towel Warmer other than a suitable heat resistant towels or garments. Do not mount or hang anything from the Towel Warmer.

**CUSTOMER and TECH SUPPORT**

Web: Visit [mrsteam.com](http://mrsteam.com) for additional information including product specifications, locating a dealer, sizing calculator technical downloads and other resources.

Call: Monday - Friday: 8 a.m. to 7 p.m. EST  
 East Coast 1.800.767.Steam (767-8326)  
 West Coast 1.800.727.Steam (727-8326)  
 Worldwide 1.718.937.4500

Email: [hello@mrsteam.com](mailto:hello@mrsteam.com)

**WARRANTY**

To view or download the MrSteam Towel Warmer Warranty and register your product go to: [blog.mrsteam.com/wr](http://blog.mrsteam.com/wr)

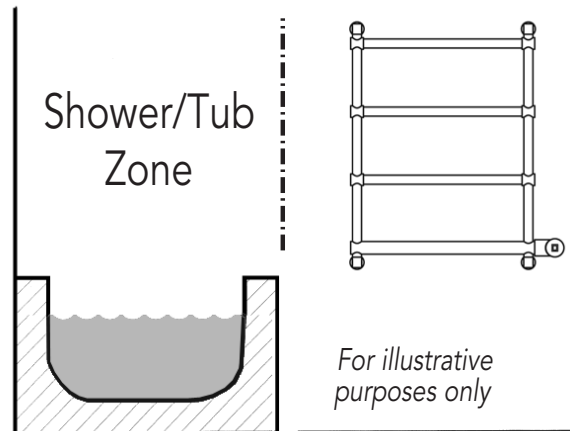
**HOMEOWNER INFORMATION:**

**⚠ WARNING**

- Towel Warmers are hot! A Towel Warmer is an electrical heating appliance, intended only for indoor applications and, as such, should be installed and used with certain precautions for your safety.
- It is the responsibility and obligation of the homeowner to contact a qualified electrician to assure that the electrical installation is adequate and is in conformance with the National Electrical Code ANSI/NFPA No. 70-latest edition, or with CSA Standard C22.1, Canadian Electrical Code, Part 1, and local codes and ordinances.
- Installation of permanently wired, wall mounted Towel Warmer must be accomplished by a qualified licensed electrician.
- Observe all local codes and ordinances.
- Do not locate the Towel Warmer inside a shower, sauna or steam room or any location with elevated temperatures or that are wet.
- Towel Warmers are hot. Please exercise additional caution if the Towel Warmer is accessible to children or the elderly. Ensure children are supervised at all times in the vicinity of the Towel Warmer and warn them that it is a hot surface that can cause burns.
- Do not operate if the Towel Warmer malfunctions or has been damaged in any manner. Return the Towel Warmer to MrSteam for examination or repair.
- The Towel Warmer has no serviceable parts. Contact MrSteam to arrange for any repairs.

**⚠ WARNING**

- Use this Towel Warmer only as described in this manual. Any use not recommended by the manufacturer may cause fire, electric shock or injury.
- Locate the Towel Warmer where incidental or unintentional contact will not occur. Towel Warmers are hot!
- Do not locate in any space where children are active. Children should not use the Towel Warmer. Towel Warmers are hot!
- Do not Locate the Towel Warmer in any location it may be used to support a persons weight. Do not climb on the Towel Warmer as a step stool or as a ladder.
- Review the location for the Towel Warmer with your installer. The Towel Warmer is not to be located within a shower/ tub zone. Never operate or use the Towel Warmer when in contact with water.



## INSTALLER INFORMATION:

### Box Contents

- Towel Warmer
- (4) Brackets
- (4) Large Screws
- (1) Junction Box Cover
- (2) Junction Box Screws
- (1) Junction Box Set Screw
- (1) Allen Key
- (1) Timer
- (4) Bracket Set Screws
- Instruction & Operation Manual

### Inspect Towel Warmer

Unpack the Towel Warmer carefully to avoid any damage or loss of any parts. When opening the box be sure that the parts are not accidentally discarded. Towel Warmers are shipped in specially designed shipping packaging. The entire surface of the Towel Warmer is hand-wrapped to protect the finish. It is your responsibility to immediately inspect for any damage or lost parts.

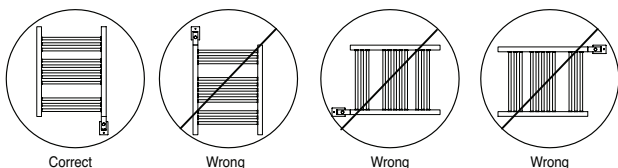
Read this entire installation manual thoroughly before beginning installation. Leave these instructions with homeowner. If you have any questions or require assistance contact MrSteam technical service representative listed on page 2 of this manual.

To ensure correct installation of the towel warmer, follow all the instructions carefully, observing the "warning", "caution" and "notice" notations for each step..

**WARNING** Towel Warmers are constructed of steel and are liquid filled. They are heavy, with some models approaching 60 lbs. Use methods and manpower as required to insure personal safety and to avoid property damage when handling and installing MrSteam Towel Warmers.

**WARNING** Be certain electricity is shut off at main panel before wiring or servicing the towel warmer. Follow instructions to make certain the Towel Warmer is properly attached to the wall. Failure to follow these steps could result in hazardous conditions.

- WARNING**
- To avoid possible burn hazard, the Towel Warmer must remain in its intended position. Mount this unit only as shown in these instructions. Do not alter or modify the Towel Warmer. Doing so may result in an inoperable or hazardous installation.
  - Observe all local codes and ordinance



**Table 1: TOWEL WARMER SPECIFICATIONS**

Model No.	Dimensions (inches) W x H x D			Amps	Volts /Phase	Weight (lbs.)
WX24	19 1/4	x 23 5/8	x 1 1/2	2.5	120/1	28
WX36	19 3/4	x 36 1/4	x 3 1/8	3.4	120/1	57
WX41	19 3/4	x 41	x 1 1/2	3.4	120/1	48
WX29	22 7/8	x 29 1/2	x 1 1/2	2.5	120/1	28
WX27	19 3/4	x 27 3/4	x 2 3/8	2.5	120/1	27

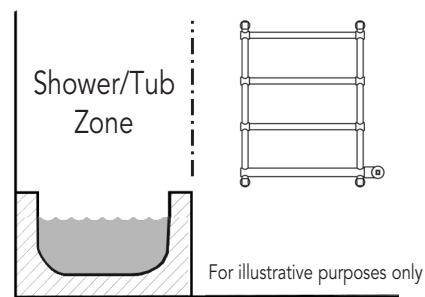
**CAUTION** Towel Warmers are to be protected by a dedicated and suitably rated GFCI circuit breaker or equal.

**NOTICE** Do not loosen screws on top or bottom. Loosening screws will cause internal liquid to escape and cause product damage.

**CAUTION** All switches and control devices must be installed on the load (black) side of the Towel Warmer circuit in compliance with the National Electric Code and Local Codes. (see pages 9 & 10 for installation instructions)

## LOCATING THE TOWEL WARMER

- WARNING**
- Observe all local codes and ordinances.
  - Do not locate within the shower or tub zone.



- WARNING**
- Locate the Towel Warmer where incidental or unintentional contact will not occur. Towel Warmers are hot!
  - Do not locate in any space where children are active. Towel Warmers are hot!
  - Do not Locate the Towel Warmer in any location it may be used to support a persons weight.
  - Do not hang anything on the Towel Warmer other than suitable heat resistant towels or garments. Do not mount or hang anything from the Towel Warmer.

## WALL PREPARATION

**CAUTION**

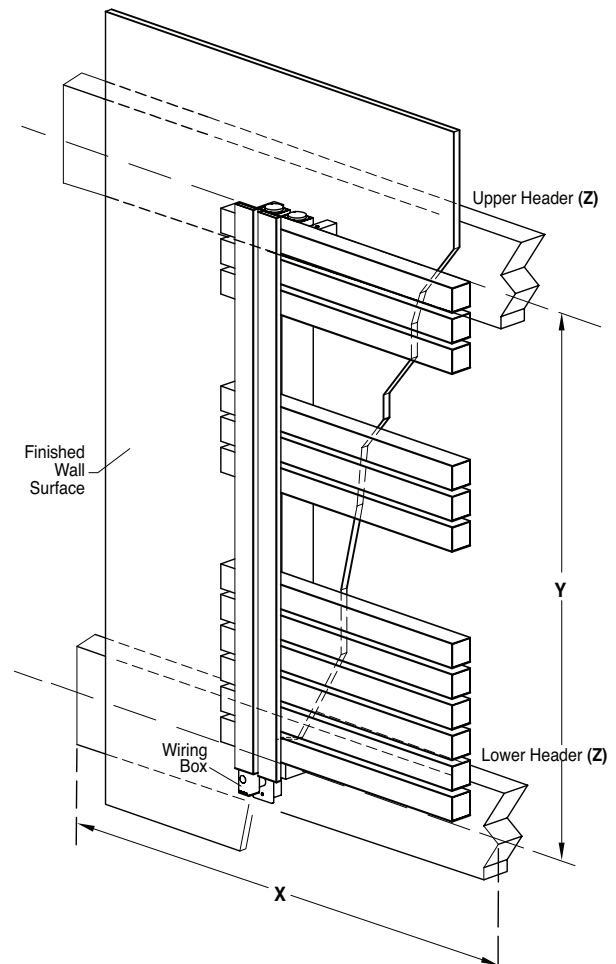
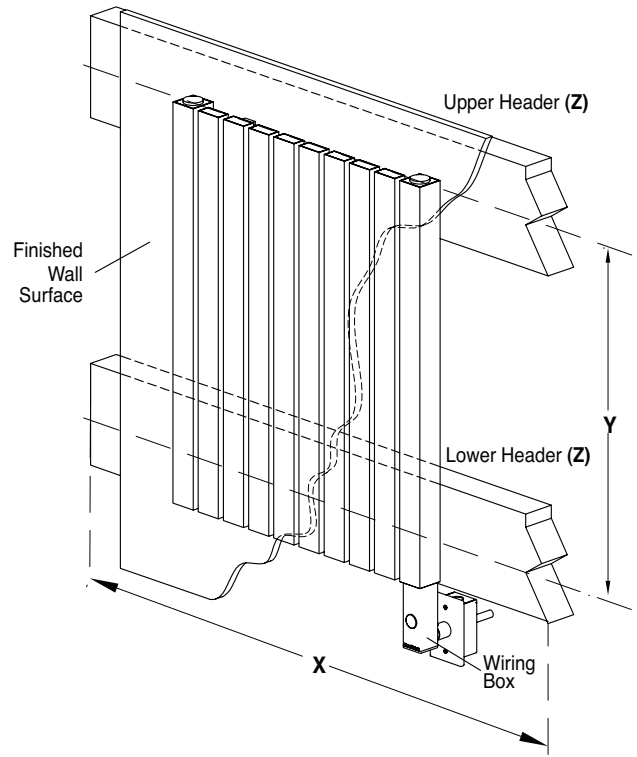
- For safe installation of Towel Warmer it is essential to consider how the Towel Warmer mounts to the wall. The construction and condition of the wall must support the weight of the Towel Warmer and any potential forces or weights that may be applied to the Towel Warmer. The wall framing must be considered. Include a structural header.
- Header to be of materials and construction as required for the Towel Warmer to support a minimum of 120 lbs. Typically, two 2" x 6" wooden headers spanning a minimum of two studs is a sufficient minimum requirement, however, wood quality and fastening methods vary and may impact structural integrity.
- Do not mount the Towel Warmer directly to sheet rock or any other non-structural material. Consult a qualified builder, architect or engineer to determine if the framing, header and construction is suitable for the mounting of the selected Towel Warmer model.
- Use longer screws as required if the finished wall surface prevents adequate penetration into the headers with the screws provided.
- Provide a clearance hole in the lower header as required to route field wiring to the Towel Warmer wiring box.
- Do not mount header to metal studs or unconventional framing construction that may not support the Towel Warmer.

**Table 2: HEADER DIMENSIONS** (inches)

MODEL	X (minimum) HEADER HORIZONTAL LENGTH	Y HEADER VERTICAL LENGTH	Z (minimum) HEADER SIZE
WX24	18 3/4	20 1/2	2 x 6
WX36	9 1/2	30 3/4	2 x 6
WX41	22 1/2	35 1/2	2 x 6
WX29	26 1/4	22 1/8	2 x 6
WX27	22	22 1/2	2 x 6

**NOTICE**

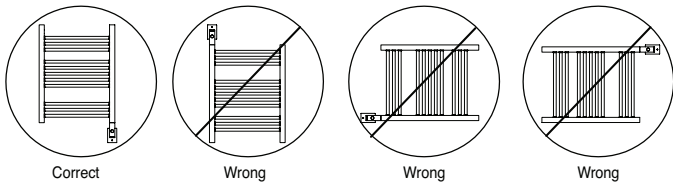
Towel Warmers may have small dimensional variations and must be measured prior to installation to insure safe and proper mounting.



### MOUNTING DIMENSIONS

Table 3: MOUNTING DIMENSIONS (inches)				
MODEL	A	B	C	D
WX24	13 <sup>25</sup> / <sub>32</sub>	20 <sup>15</sup> / <sub>32</sub>	5 <sup>7</sup> / <sub>16</sub>	1 <sup>31</sup> / <sub>32</sub>
WX36	4 <sup>17</sup> / <sub>32</sub>	32 <sup>11</sup> / <sub>16</sub>	5 <sup>13</sup> / <sub>16</sub>	1 <sup>9</sup> / <sub>32</sub>
WX41	17 <sup>23</sup> / <sub>32</sub>	35 <sup>7</sup> / <sub>16</sub>	6 <sup>5</sup> / <sub>8</sub>	1 <sup>3</sup> / <sub>8</sub>
WX29	21 <sup>1</sup> / <sub>4</sub>	22 <sup>1</sup> / <sub>16</sub>	7 <sup>19</sup> / <sub>32</sub>	~
WX27	16 <sup>15</sup> / <sub>16</sub>	22 <sup>7</sup> / <sub>16</sub>	1 <sup>15</sup> / <sub>32</sub>	4 <sup>1</sup> / <sub>32</sub>

**⚠ WARNING** Install Towel Warmers in upright position only. Locate with indicator light on bottom as shown. Failure to install properly may result in poor performance, overheating and a hazardous condition.



**⚠ CAUTION** A single gang junction box must be roughed in. See figures 1 and 2 for locations.

**NOTICE** Towel Warmers may have small dimensional variations and the dimension must be verified prior to installation.

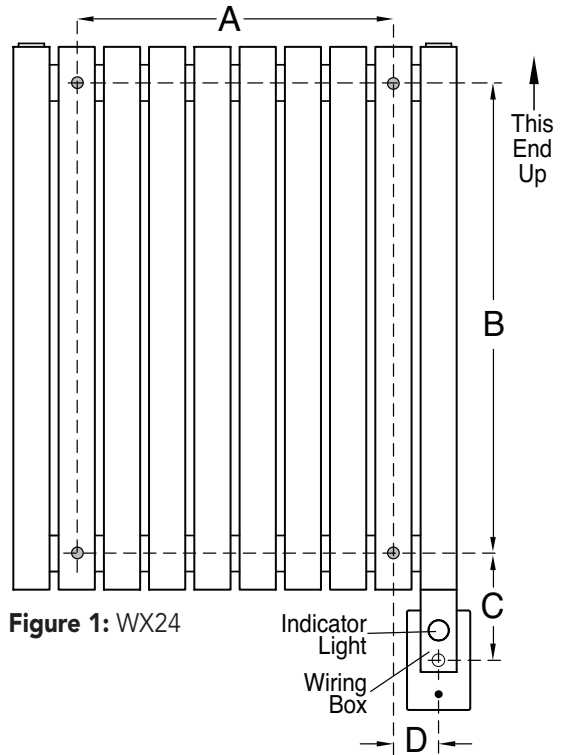


Figure 1: WX24

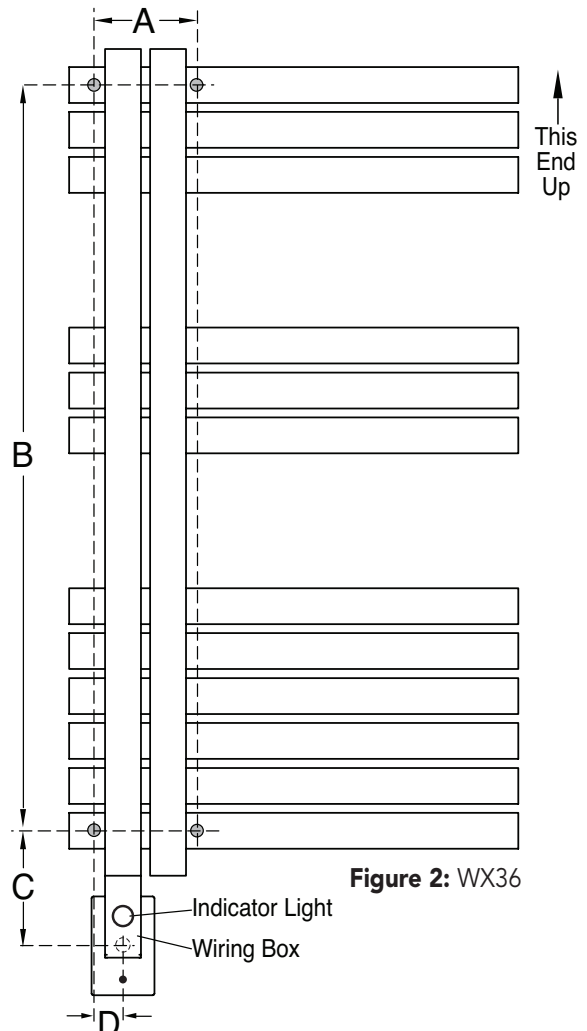


Figure 2: WX36

## WALL MOUNTING

**⚠ WARNING** To prevent shock hazard, turn off electricity at the main panel before wiring. Verify with multimeter.

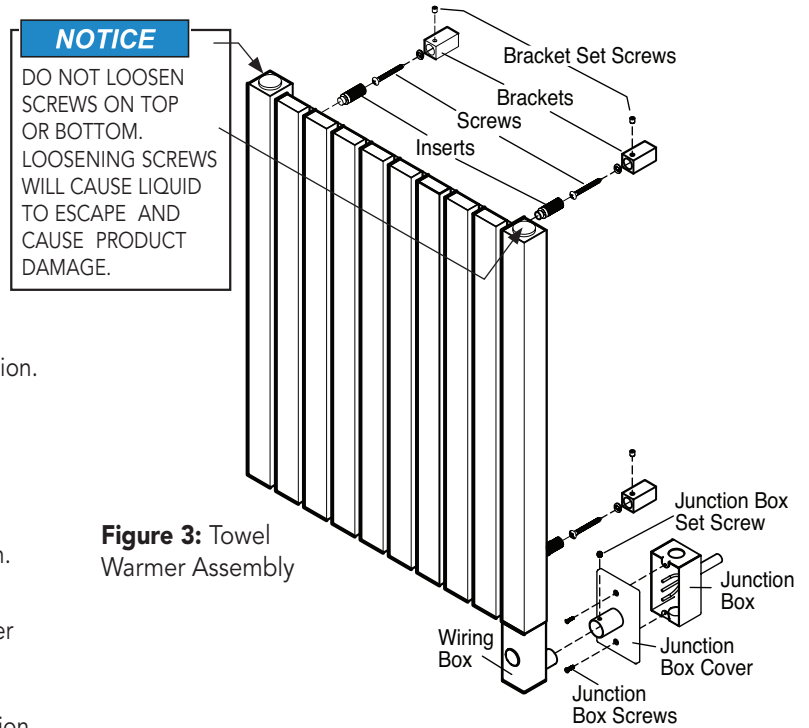
**⚠ CAUTION** A single gang junction box must be roughed in. See page 7 for location.

**⚠ WARNING** Install Towel Warmers in upright position only. Locate with pilot light on bottom as shown. Failure to install properly may result in a hazardous condition.

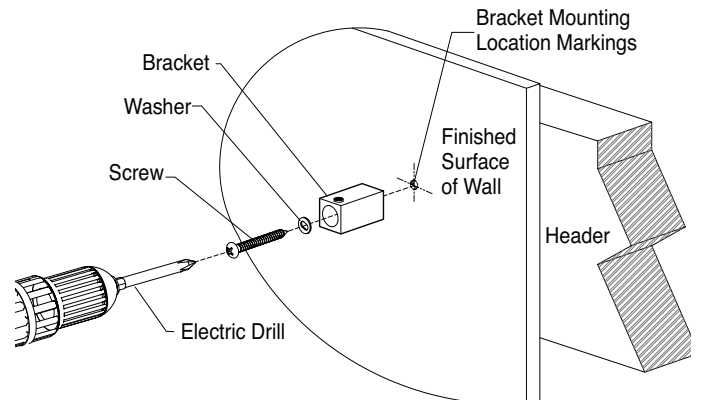
1. Ensure header and junction box have been installed as shown on pages 6 & 7
2. Using the allen key provided, loosen the wiring box set screw and rotate the wiring box into position as shown. Do not remove the wiring box.
3. Measure the Towel Warmer and mark the bracket center locations on the finished wall, where the brackets and junction box will be mounted. The bracket mounting locations should be based on the location of the junction box (see Table 3 Mounting Dimensions). Verify mounting points are level.
4. Insert large screw and washer into bracket. Properly center large screw point onto the marked mounting location, and secure the bracket to the wall with an electric drill (see figure 4). Repeat for all 4 brackets.

**⚠ CAUTION** Use all four mounting brackets. Failure to use all four mounting brackets may result in mounting failure, damage and personal injury.

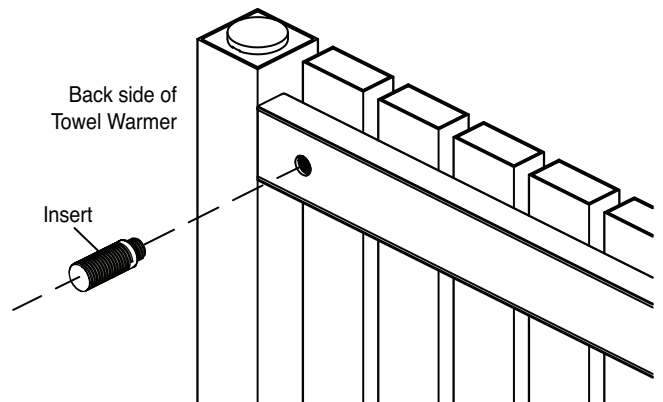
5. Thread the (4) inserts into Towel Warmer. (see figure 5)
6. Slide junction box cover onto wiring box with wiring running through junction box cover. (see page 9)



**Figure 3:** Towel Warmer Assembly



**Figure 4:** Secure brackets to finished wall

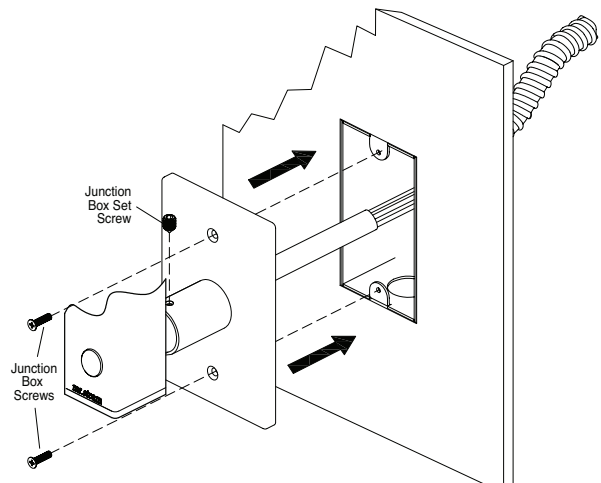
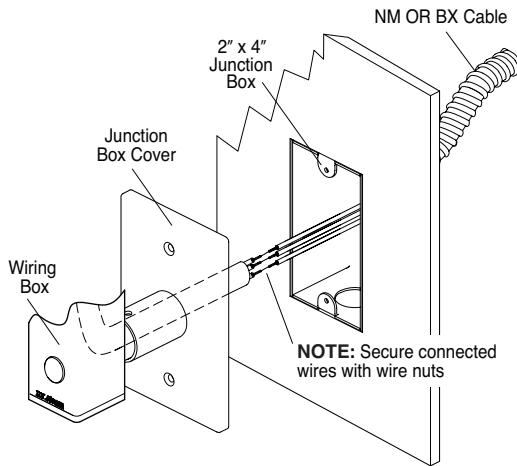


**Figure 5:** Thread inserts to Towel Warmer



## ELECTRICAL CONNECTIONS

**⚠ WARNING** To prevent shock hazard, turn off electricity at the main panel before wiring. Verify with multimeter.



*Drawings for illustrative purposes only*

1. Slide the Towel Warmer with assembled inserts into the brackets and secure the Towel Warmer by tightening the bracket set screws provided (see page 8, figure 3).
2. Slide and rotate junction cover 90 degrees in order to connect wires.
3. Connect wiring per instructions page 10, Electrical Connections

**NOTICE** NM (non-metallic) cable, if permitted by National and Local Codes may be used instead of BX cable

4. Use the set screw to secure the wiring box to the junction box cover (as shown).

**⚠ WARNING**

- The wiring box and junction box set screws must be properly tightened in order to completely ground the Towel Warmer.
  - Failure to follow these instructions can result in electrical shock, fire or death.
5. Secure junction box cover with screws provided. (Use longer screws as required by construction conditions.)

**NOTICE**

The connected wires should be placed inside junction box before securing junction box cover.

6. After properly installing Towel Warmer. Turn ON electricity at the main panel. Turn ON the Towel Warmer and allow 30+ minutes to warm up.

## DIGITAL PROGRAMMABLE TIMER

**NOTICE**

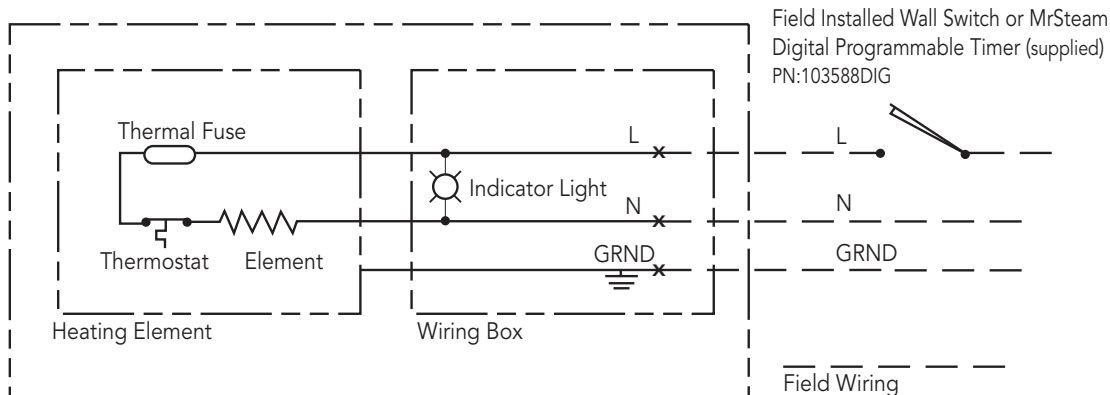
- Read the installation and user instructions provided with the timer.
- Consult with homeowner to discuss timer location options.
- Damage to the contacts caused by short circuiting will void the warranty.
- Mount timer in a junction box using supplied screws.
- If timer does not operate, check that the timer's black wire is connected to hot line and not the load. If necessary, reverse connections to red and black wires
- When the indicator light on the Towel Warmer is illuminated, the Towel Warmer is energized.

**⚠ WARNING**

- Disconnect power supply prior to installation to prevent electrical shock.
- To prevent shock hazard, turn off electricity at the main panel before wiring. Verify with multimeter.
- Do not place timer units inside a shower, sauna or steam room enclosure or any other wet location or with elevated temperatures.
- Locate and wire in accordance with National Electrical and Local Code requirements. Be sure all connections are secure. Double check all twist-on wire connectors.
- The timer is an electronically operated device. It must be installed by a licensed electrician in accordance with local code and the National Electric Code (NEC).
- Do not locate the timer in any location that would allow a user to operate the Towel Warmer from a wet location or from inside the tub or shower zone.

## ELECTRICAL CONNECTIONS

### Wiring Diagram



#### Electric Towel Warmer

To prevent shock hazard, turn off electricity at the main panel before wiring. Verify with multimeter. The Towel Warmer wires are color coded: Black for Line, White for Neutral, Green/Yellow for Equipment Ground.

#### CAUTION

- All switches and control devices must be installed on the load (black) side of the Towel Warmer circuit in compliance with the National Electric Code and Local Codes. (see pages 9 & 10, installation instructions).
- Install a wall switch or timer to turn the Towel Warmer on and off.

#### WARNING

- The Towel Warmer is an electronically operated device. It must be installed by a licensed electrician to assure that the electrical installation is adequate and is in conformance with the National Electrical Code ANSI/NFPA No. 70-latest edition, or with CSA Standard C22.1, Canadian Electrical Code, Part 1, and local codes and ordinances. The Towel Warmer must be located in accordance with any prevailing codes and relevant electrical wiring rules and regulations, in particular regulations that cover the use of products and accessories in damp situations such as bathrooms, showers, laundries and other areas with fixed water containers.
- The Towel Warmer requires 120VAC, 60 Hz power supply and must be GFCI protected. Specific amperage required is listed in the Towel Warmer Specifications table.

**Table 1: TOWEL WARMER SPECIFICATIONS**

Model No.	Dimensions (inches) W x H x D			Amps	Volts /Phase	Weight (lbs.)		
WX24	19 1/4	x	23 5/8	x	1 1/2	2.5	120/1	28
WX36	19 3/4	x	36 1/4	x	3 1/8	3.4	120/1	57
WX41	19 3/4	x	41	x	1 1/2	3.4	120/1	48
WX29	22 7/8	x	29 1/2	x	1 1/2	2.5	120/1	28
WX27	19 3/4	x	27 3/4	x	2 3/8	2.5	120/1	27

#### NOTICE

- Electrical connections should be made as prescribed by the National Electric and Local Codes. The unit should be field wired using 14 AWG min 90°C-rated copper wire. All models are to be protected by a separate 15 amp circuit breaker or equal.
- Install the Towel Warmer according to the specific instructions for each model.
- A dedicated circuit is required for each Towel Warmer.
- A single gang junction box must be roughed-in, see page 7 for location.
- When the Towel Warmer is energized, the indicator light on the Towel Warmer will illuminate.
- Do not alter or modify any MrSteam products. Doing so may result in an inoperable or hazardous installation and will void the warranty.

#### WARNING

- Install Towel Warmer in upright position only. Locate with indicator light on bottom as shown. Failure to install properly may result in over-heating and a hazardous condition.
- Make connections between Towel Warmer and house wiring using approved connections to comply with National Electrical Local Codes. LINE (black), NEUTRAL (white), and GROUND.
- To prevent shock hazard, no bare wire or wire strands should be visible after making connections.



# mr.steam<sup>®</sup>

Feel Good Inc.<sup>®</sup>

[www.mrsteam.com](http://www.mrsteam.com)

---

Sales & Support at 1.800.76.STEAM (East Coast) or 1.800.72.STEAM (West Coast) for more information.

---

**mr.steam<sup>®</sup>** Sussman-Automatic Corporation<sup>®</sup> | [hello@mrsteam.com](mailto:hello@mrsteam.com) | [www.mrsteam.com](http://www.mrsteam.com)  
43-20 34th Street, Long Island City, NY 11101 | 1 800 767 8326 FAX: 718 472 3256  
9410 S. La Cienega Blvd. Inglewood CA 90301 | 1 800 72 STEAM FAX: 310 216 2944

2017 © Sussman-Automatic Corporation | Mr.Steam and des., A Lifetime of Pleasure, AirTempo, AromaFlo, AudioWizard, AutoFlush, AutoSteam, Broadway Collection, Butler Package, ChromaSteam, Clean Steam...Every Time, Club Therapy, Digital 1, Feel Good Inc., Fifth Avenue Collection, From Bathroom to Spa, iButler, iDream Package, iGenie, iSizing, iTempo, iTempo/Plus, Linear, Linear Steamhead, Making Wellness a Way of Life, Metro Collection, Music Therapy, SmartSizing, Spa Package, Steam Genie, Steam@Home, SteamStart, SteamTherapy, Sussman, Tala, Tala Bath & Body, The Intelligent Steambath, Valet Package, and Virtual Spa System are registered trademarks of Sussman-Automatic Corporation.

PUR 103930 REV 8.17