

### Digital 30-Minute Timer 99216DIG

#### Electronic Interval Timer for Mr.Steam CU Commercial Steambaths Installation and Operating Manual

#### FUNCTIONALITY OF THE TIMESWITCH

The countdown timer uses a relay to switch the steam solenoid on. During the preset running time, the relay energizes and activates the connected steam solenoid by closing a circuit. After the time has elapsed, the relay deenergizes and deactivates the connected steam solenoid by opening the circuit again. THE TIMER MAY ONLY BE OPERATED AFTER INSTALLATION IN A PROTECTIVE HOUSING. A large 3-digit LCD display is provided for monitoring the countdown of the timer.

#### BEFORE USE

Before installing and using this timer, it is absolutely necessary that you read this operating manual thoroughly.

#### SAFETY INSTRUCTIONS

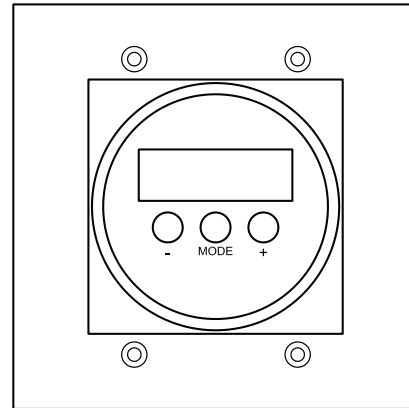
This timer may only be installed by a qualified, licensed electrician and must be installed in accordance with National and local codes.

**! WARNING SHOCK HAZARD!** Install the timer per these instructions before connecting to the main supply. Never touch live contacts or components.

**! WARNING** Protection from contact with the line voltage components must be achieved by proper installation in a 4 x 4 junction box. When installing the timer, ensure the fastening sliders prevent the timer from being removed.

**! WARNING** DO NOT install the timer in a wet or damp location.

**! WARNING** DO NOT install the timer inside the steam room.



#### 1. INSTALLING THE TIMER

##### DIP SWITCHES SETTING

Figure 1 shows the default setting for the timer. The timer is factory set to run for 30 minutes.

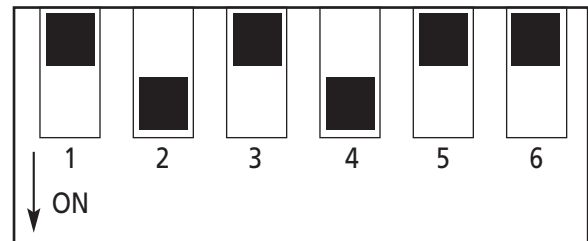
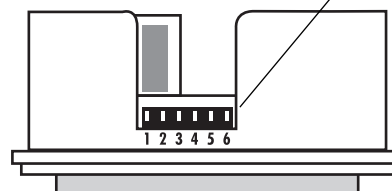


Figure 1: Default Settings

Maximum run time can be set at 15, 30 or 60 minutes. Use switches 3 and 4 to set run time:



RUN TIME	SWITCH 3	SWITCH 4
15 min.	OFF	OFF
30 min.	OFF	ON
60 min.	ON	OFF

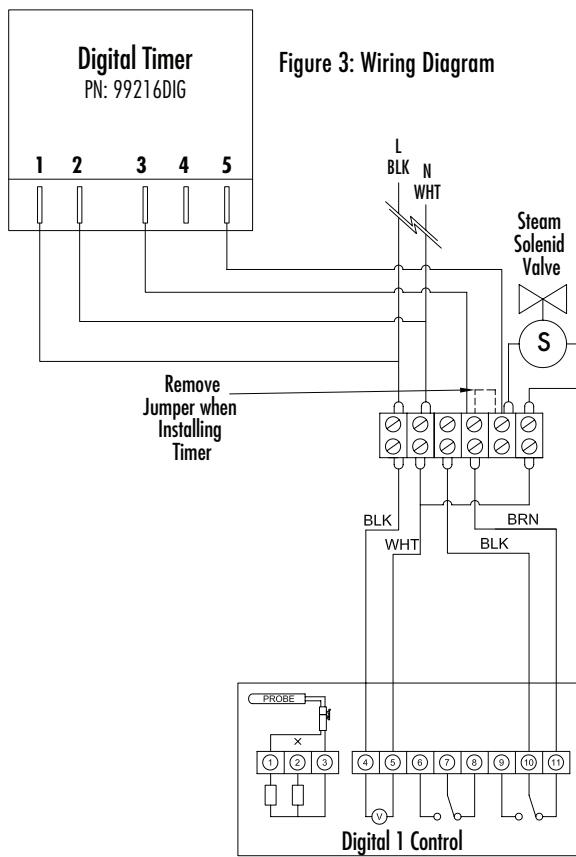
**IMPORTANT NOTE:** As you follow these instructions, you will notice warning and caution symbols. This information is important for the safe and efficient installation and operation of this generator. These are types of potential hazards that may occur during this installation and operation:

**! CAUTION** states a hazard may cause serious injury or death if precautions are not followed.

**! WARNING** signals a situation where minor injury or product damage may occur if you do not follow instructions.

## 2. CONNECTING THE TIMER

- Remove one of the knockout holes on the left side of the boiler jacket.
- Remove the room timer jumper from the terminal block.
- Connect the timer terminals 1, 2, 3 and 5 to the terminal block as shown on the wiring diagram Figure 3.
- Mount the timer plate assembly on a 4 x 4 Electrical box (*not supplied*).

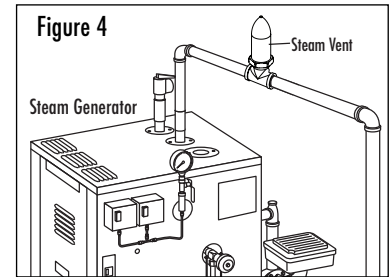


## 3. STEAM VENT

**IMPORTANT:** A steam vent (PN 104072) must be installed in the steam line between the steam generator and the steam solenoid valve when using a 30 minute timer as shown. The steam vent will release hydrostatic pressure in the boiler while filling when the 30 minute timer has timed out.

**WARNING** Make sure the boiler and pipes are not hot and have no pressure before installing the steam vent.

1. The steam vent shall be plumbed into a Tee in the steam line between the boiler and the solenoid valve. Only one steam vent is required, even if the boiler services two rooms.
2. **IMPORTANT NOTE:** The steam vent should remain accessible for service.
3. The steam vent should be oriented vertically, with the threads down, as shown in Figure 4.
4. The steam vent is provided with 3/4" NPT male and 1/2" NPT female thread for connecting to the steam line.



## SETTING A RUNNING TIME

Using the “-” and “+” buttons, you can set the desired running time during which the steam generator will operate, press the “MODE” button. The steam solenoid connected to the timer is switched on. The displayed running time is counted down while the colon in the center of the time display flashes.

## END OF RUNNING TIME

After the preset running time has elapsed, the timer switches the connected steam solenoid off issuing short beeps (for up to 15 seconds). The value 0:00 is shown on the display, and the colon stops flashing.

1. Press the “MODE” button to stop the acoustic signal. The previously set short time reappears on the display (repeat function).
2. If you press the “MODE” button again, the timer restarts counting down the displayed running time.