

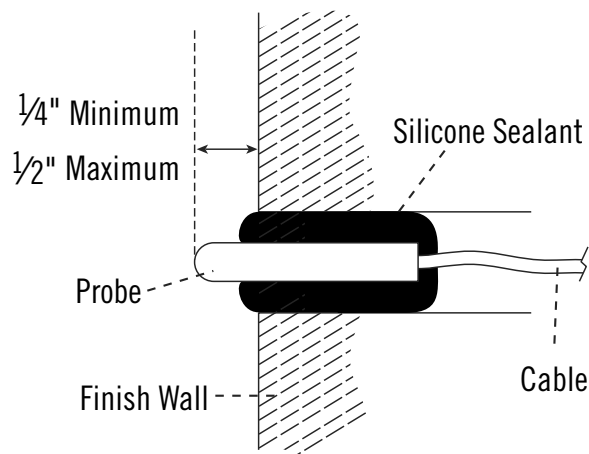
MSTS/iMSTS in Room Temperature Sensor

BOX CONTENT

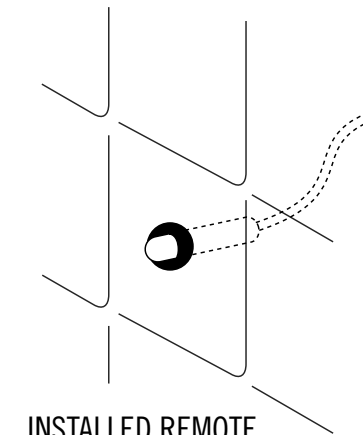
- MSTS/iMSTS probe with wire attached

FUNCTION

- Used to accurately read the temperature inside the steam room and send it to the controller.
- MSTS is for use with the iTempo® or iTempoPlus® controls
- iMSTS is for use with the iSteam® Control



SECTIONAL VIEW



INSTALLED REMOTE TEMPERATURE PROBE

FOR ILLUSTRATIVE PURPOSES ONLY. IMPORTANT NOTE: FOR SAFE AND TROUBLE FREE INSTALLATION visit mrsteam.com or scan the QR code before installation to download the Installation, Operation and Maintenance Manual or refer to the manual provided with the unit.



MODEL	PROJECT INFORMATION	
<input type="checkbox"/> iMSTS <input type="checkbox"/> MSTS	Location:	Contractor:
	Architect:	Submitted By:
	Engineer:	Date:
Notes:		