

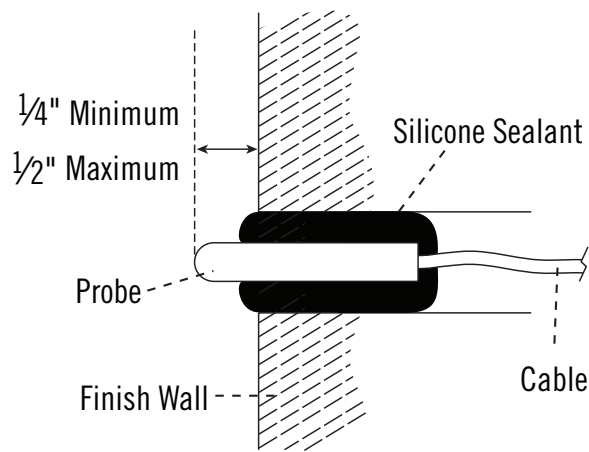
### MSTS/iMSTS in Room Temperature Sensor

#### BOX CONTENT

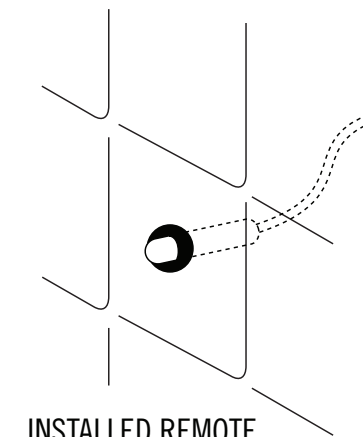
- MSTS/iMSTS probe with wire attached

#### FUNCTION

- Used to accurately read the temperature inside the steam room and send it to the controller.
- MSTS is for use with the iSteam3, AirTempo, iTempoPlus or iTempo controls.
- iMSTS is for use with the iSteam® and iSteam2.0 controls only



SECTIONAL VIEW



INSTALLED REMOTE TEMPERATURE PROBE

**FOR ILLUSTRATIVE PURPOSES ONLY. IMPORTANT NOTE: FOR SAFE AND TROUBLE FREE INSTALLATION**

visit [mrsteam.com](http://mrsteam.com) before installation to download the Installation, Operation and Maintenance Manual or refer to the manual provided with the unit.

MODEL	PROJECT INFORMATION	
<input type="checkbox"/> iMSTS <input type="checkbox"/> MSTS	Location:	Contractor:
	Architect:	Submitted By:
	Engineer:	Date:
Notes:		