

ChromaSound Spa Package™

Convert any Shower into a Light and Sound Spa

BOX CONTENT

- ChromaSteam® Mood Lighting System
- AudioWizard™ 2.0 Sound System with independent control (available in black)
- Pair of In-shower square or round speakers Black or White



FOR ILLUSTRATIVE PURPOSES ONLY. IMPORTANT NOTE: FOR SAFE AND TROUBLE FREE INSTALLATION visit mrsteam.com or scan the QR code before installation to download the Installation, Operation and Maintenance Manual or refer to the manual provided with the unit.



MODEL	SHAPE	FINISH	PROJECT INFORMATION	
MS ChromaSound	<input type="checkbox"/> RD-Round	<input type="checkbox"/> BK-Black	Location:	Contractor:
	<input type="checkbox"/> SQ-Square	<input type="checkbox"/> WH-White	Architect:	Submitted By:
			Engineer:	Date:
Notes:				

ChromaSteam®

BOX CONTENTS

The MS CHROMA includes all of the following:

- (1) Installation and Operation Manual
- (1) Light Fixture, Lens & LED Cluster
- (1) Tube of Silicone
- (1) 30 ft. cable for use with eTempoPlus

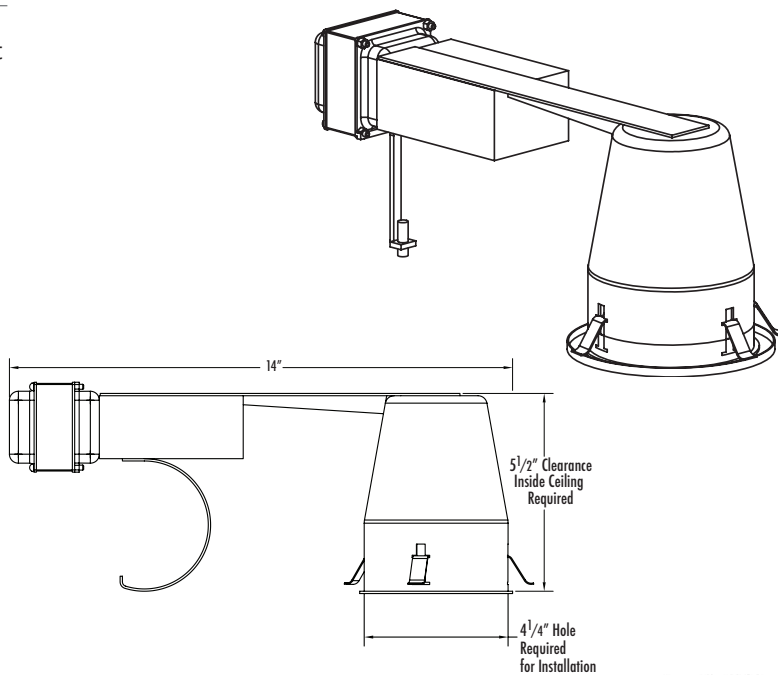
IMPORTANT NOTE: The ChromaSteam® System is for mood lighting only and not a substitute for general illumination.

ChromaSteam® is rated 14.4 watts at 120 VAC



Depending on the installation, the user can select from the following color modes using either a standard wall switch or the CHROMA button on their iSteam® or iTempoPlus® control.

- | | |
|-----------------|---|
| a. Bright White | f. Green |
| b. Blue/Green | g. Red |
| c. Violet | h. Chameleon
(slow automatic cycle) |
| d. Blue | i. Party Mode
(fast automatic cycle) |
| e. Yellow | |



FOR ILLUSTRATIVE PURPOSES ONLY. IMPORTANT NOTE: FOR SAFE AND TROUBLE FREE INSTALLATION visit mrsteam.com or scan the QR code before installation to download the Installation, Operation and Maintenance Manual or refer to the manual provided with the unit.



MODEL	PROJECT INFORMATION	
MS CHROMA-72	Location:	Contractor:
	Architect:	Submitted By:
	Engineer:	Date:
Notes:		

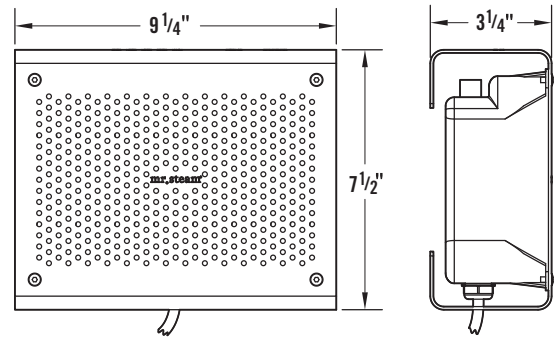
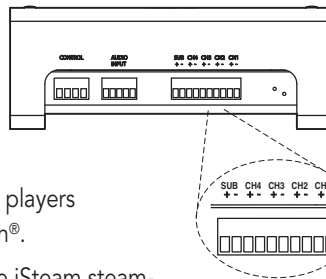
AudioWizard™

The AudioWizard sound system is the perfect way to introduce music into your steam room or shower. The AudioWizard is easy to install and is compatible with many audio sources such as portable music players and smart phones equipped with Bluetooth®.

The AudioWizard can be controlled with the iSteam steam-bath control or with the AudioWizard stand-alone control.

Just pair your Bluetooth® device and start playing your favorite music. Digital files or internet radio from your audio device will be streamed wirelessly to the AudioWizard.

Speaker Connections

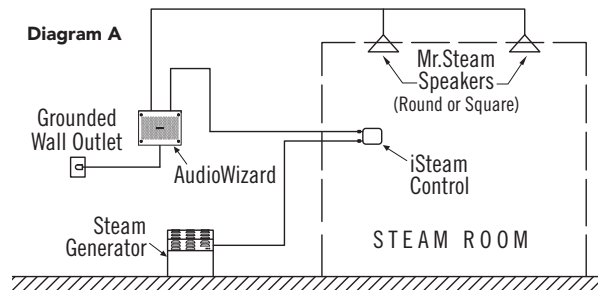


⚠ WARNING

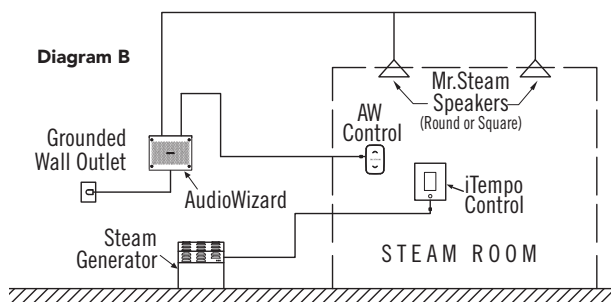
NOTE: This unit is designed to connect 4 speakers and one subwoofer.
DO NOT connect speaker ground wires together.
DO NOT bridge channels

Control Options for the AudioWizard

A. Operating the AudioWizard with the iSteam control.



B. Operating the AudioWizard with the AudioWizard stand-alone control.



Locating the AudioWizard

- The AudioWizard control cable is 30ft and the power cord is 6ft, ensure the control and AudioWizard are located accordingly.
- Locate in a dry location where the wireless signal will not be interrupted.
- Test Bluetooth® signal before mounting AudioWizard.

⚠ WARNING ELECTRIC SHOCK HAZARD!

To reduce the risk of fire or electric shock, do not expose this apparatus to rain or moisture. DO NOT install AudioWizard in the steam room or any location where it may become wet.

Part Number: MS AudioWizard2.0

Mechanical

- Weight: 5 pounds
- Dimensions (W x H x D): 9 1/4" x 7 1/2" x 3 1/4"

Electrical

- Input Voltage: ~120VAC 50-60Hz
- Max Input Current: 2A
- Speaker Impedance: 4-16 Ohm

Auxiliary Input

- Stereo: Yes
- Connection Type: Screw Terminal

Audio

- Audio Source Supported:
- Bluetooth streaming and Auxiliary input
- Power Output: 25 watts RMS per channel

Compatibility

- Devices with Bluetooth: V 2.0 A, AVDTP

Applicable Standards:

FCC



FOR ILLUSTRATIVE PURPOSES ONLY. IMPORTANT NOTE: FOR SAFE AND TROUBLE FREE INSTALLATION visit mrsteam.com or scan the QR code before installation to download the Installation, Operation and Maintenance Manual or refer to the manual provided with the unit.

MODEL	PROJECT INFORMATION	
<input type="checkbox"/> MS AUDIOWIZ2.0-IS (for use with iSteam only)	Location:	Contractor:
<input type="checkbox"/> MS AUDIOWIZ2.0-BK (stand alone control)	Architect:	Submitted By:
	Engineer:	Date:
Notes:		

MusicTherapy® Speakers, Round & Square

- Designed for use inside or outside the shower enclosure
- Ceiling, flush mount
- Square 7.06" x 7.06" Round: 6.5" diameter
- Two-way marine-grade speakers, polypropylene cones
- ABS frames with white powder-coated grills
- Suitable for most sources of audio input
- Rated 60W peak power with full range sound
- 30 watts RMS and 8 ohm impedance
- For use in any shower



FOR ILLUSTRATIVE PURPOSES ONLY. IMPORTANT NOTE: FOR SAFE AND TROUBLE FREE INSTALLATION visit mrsteam.com or scan the QR code before installation to download the Installation, Operation and Maintenance Manual or refer to the manual provided with the unit.



MODEL	SHAPE	FINISH	PROJECT INFORMATION	
MS Speakers	<input type="checkbox"/> RD Round	<input type="checkbox"/> BK Black	Location:	Contractor:
	<input type="checkbox"/> SQ Square	<input type="checkbox"/> WH White	Architect:	Submitted By:
			Engineer:	Date:
Notes:				